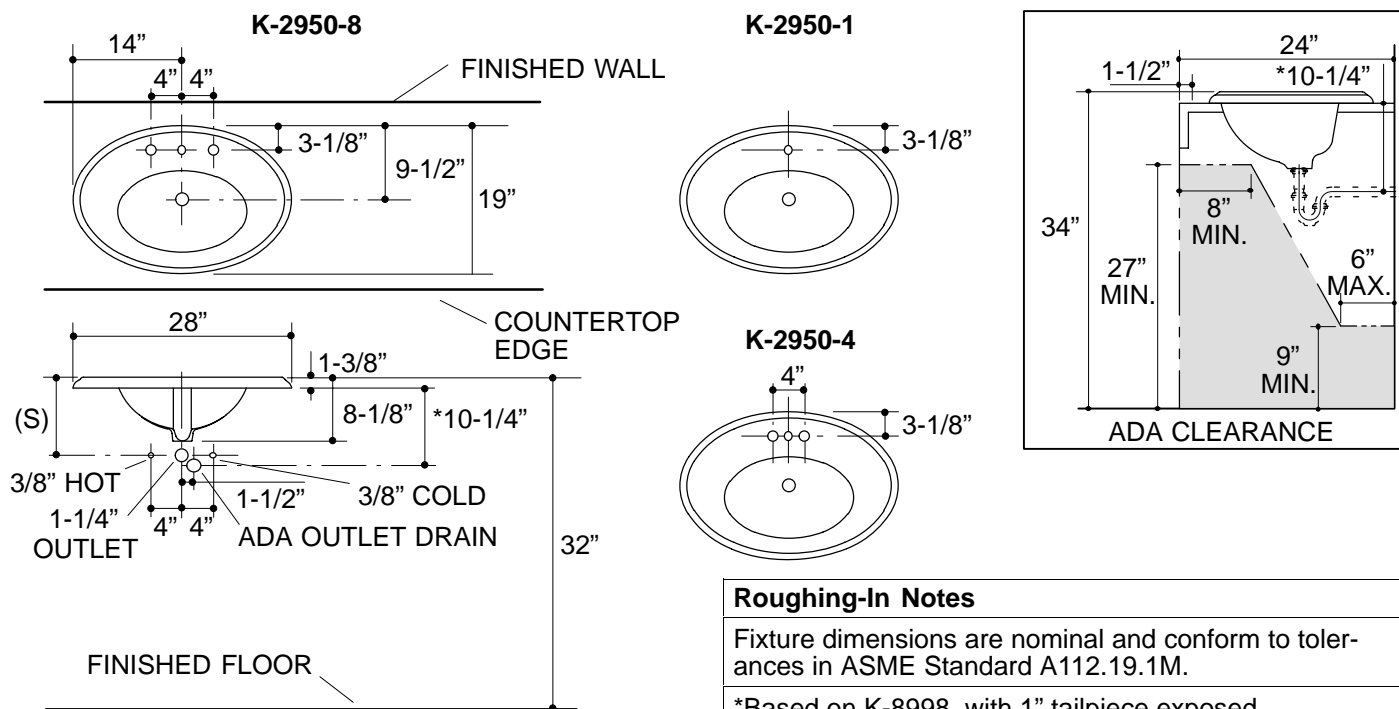


## Ordering Information

Applicable product:		
8" centers	K-2950-8	shown
Single-hole	K-2950-1	not shown
4" centers	K-2950-4	not shown
Accessories/hardware:		
Trap	K-8998	recommended

## Product Information

ADA compliant.			
Fixture*:		basin area	water depth
Lavatory		17" x 11"	4-1/4"
Outlet	1-11/16" D.		
* Approximate measurements for comparison only.			
Holes	<b>K-2950-8</b>	<b>K-2950-1</b>	<b>K-2950-4</b>
Spout	1-1/8" D.	1-3/8" D.	1-1/8" D.
Faucet	1-5/16" D.		1-3/16" D.
Included Components:			
Overflow ferrule (1)			44071
Cutout template			113905-7



.65<116

### Roughing-In Notes

Fixture dimensions are nominal and conform to tolerances in ASME Standard A112.19.1M.

\*Based on K-8998, with 1" tailpiece exposed.

(S) 10" (Based on 12" riser which may require cutting).