

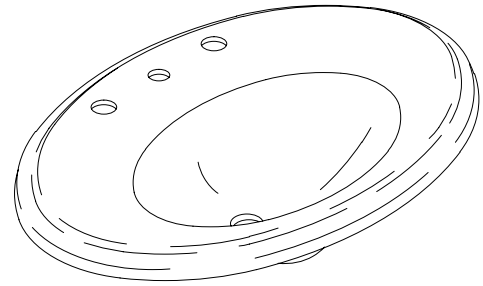
### COUNTERTOP LAVATORY

# K-2950

ADA

#### FEATURES

- 28" x 19"
- Cast iron
- Self-rimming
- 8" centers (K-2950-8), 4" centers (K-2950-4) or single-hole (K-2950-1) drilling
- ADA compliant



#### CODES/STANDARDS APPLICABLE

Specified model meets or exceeds the following:

- ADA
- ASME/ANSI A112.19.1M
- CABO/ANSI A117.1
- IAPMO/UPC
- Canadian Standards Association (CSA)
- State of Massachusetts

#### COLORS/FINISHES

- 0 White
- Other Refer to Fixtures Price Book for additional colors

#### Accessories:

- CP Polished Chrome
- Other Refer to Faucets Price Book for additional finishes

#### SPECIFIED MODEL:

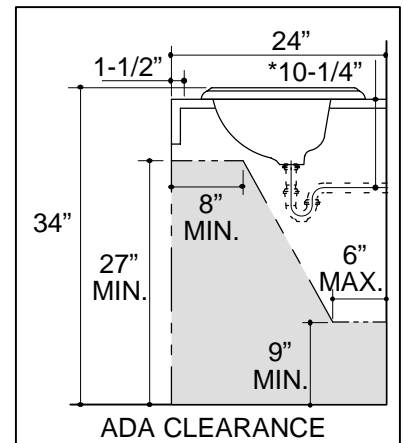
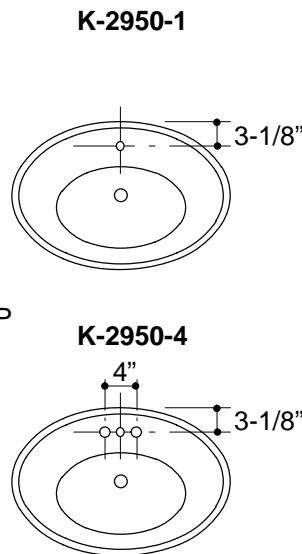
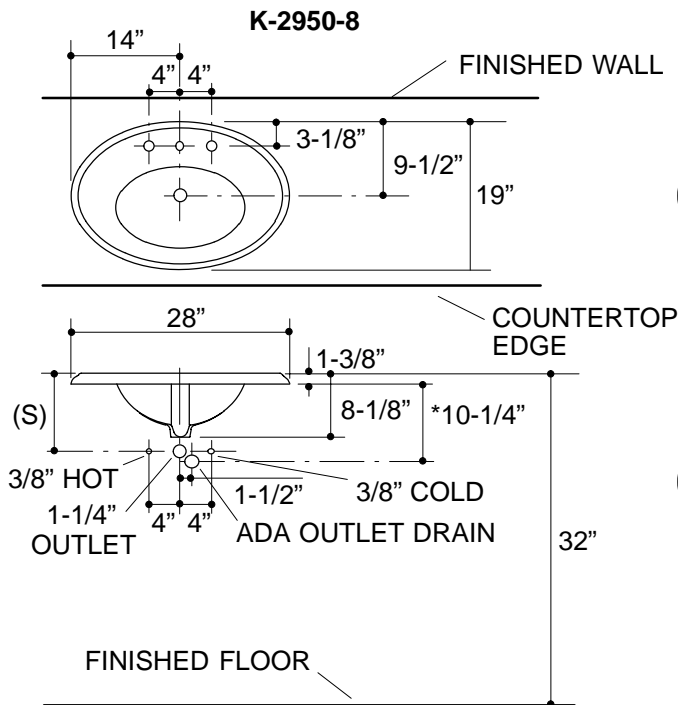
Model	Description	Colors/Finishes	
K-2950-8	8" centers lavatory	<input type="checkbox"/> 0 White	<input type="checkbox"/> Other_____
K-2950-4	4" centers lavatory	<input type="checkbox"/> 0 White	<input type="checkbox"/> Other_____
K-2950-1	Single-hole lavatory	<input type="checkbox"/> 0 White	<input type="checkbox"/> Other_____
<b>Optional Accessories</b>			
K-8998	Trap	<input type="checkbox"/> CP	<input type="checkbox"/> Other_____

#### PRODUCT SPECIFICATION:

The self-rimming countertop lavatory shall be 28" in length, and 19" in width. Lavatory shall be made of cast iron. Lavatory shall have 8" centers (K-2950-8), 4" centers (K-2950-4) or single-hole (K-2950-1) drilling. Lavatory shall have overflow. Lavatory shall be ADA compliant. Lavatory shall be Kohler Model K-2950-\_\_\_\_\_ - \_\_\_\_\_.

## PRODUCT INFORMATION

ADA compliant.			
Fixture*:		basin area	water depth
Lavatory		17" x 11"	4-1/4"
Outlet	1-11/16" D.		
* Approximate measurements for comparison only.			
Holes	<b>K-2950-8</b>	<b>K-2950-1</b>	<b>K-2950-4</b>
Spout	1-1/8" D.	1-3/8" D.	1-1/8" D.
Faucet	1-5/16" D.		1-3/16" D.
Included Components:			
Overflow ferrule (1)			44071
Cutout template			113905-7



### Roughing-In Notes

\*Based on K-8998, with 1" tailpiece exposed.

(S) 10" (Based on 12" riser which may require cutting).

.65<116

## PRODUCT DIAGRAM