

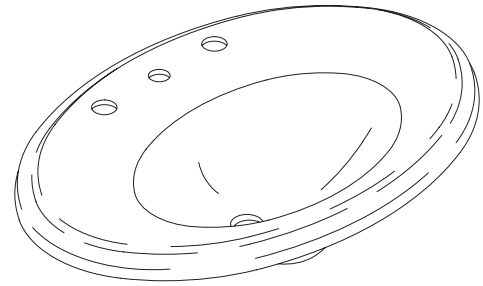
COUNTERTOP LAVATORY

K-2950

ADA

FEATURES

- 28" x 19"
- Cast iron
- Self-rimming
- 8" centers (K-2950-8), 4" centers (K-2950-4) or single-hole (K-2950-1) drilling
- ADA compliant



CODES/STANDARDS APPLICABLE

Specified model meets or exceeds the following:

- ADA
- ASME/ANSI A112.19.1M
- ICC/ANSI A117.1
- IAPMO/UPC
- Canadian Standards Association (CSA)
- State of Massachusetts

COLORS/FINISHES

- 0 White
- Other Refer to Fixtures Price Book for additional colors

Accessories:

- CP Polished Chrome
- Other Refer to Faucets Price Book for additional finishes

SPECIFIED MODEL:

Model	Description	Colors/Finishes	
K-2950-8	8" centers lavatory	<input type="checkbox"/> 0 White	<input type="checkbox"/> Other_____
K-2950-4	4" centers lavatory	<input type="checkbox"/> 0 White	<input type="checkbox"/> Other_____
K-2950-1	Single-hole lavatory	<input type="checkbox"/> 0 White	<input type="checkbox"/> Other_____

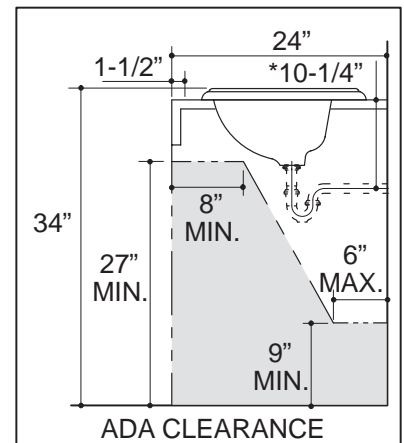
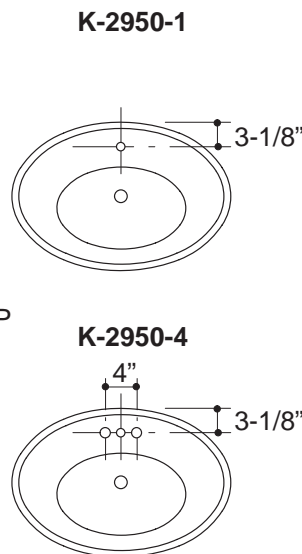
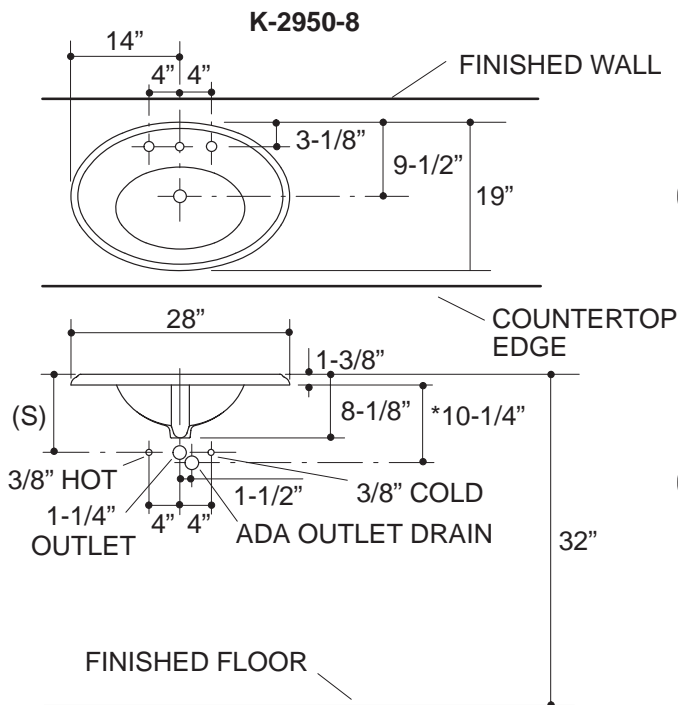
Optional Accessories			
K-8998	Trap	<input type="checkbox"/> CP	<input type="checkbox"/> Other_____

PRODUCT SPECIFICATION:

The self-rimming countertop lavatory shall be 28" in length, and 19" in width. Lavatory shall be made of cast iron. Lavatory shall have 8" centers (K-2950-8), 4" centers (K-2950-4) or single-hole (K-2950-1) drilling. Lavatory shall have overflow. Lavatory shall be ADA compliant. Lavatory shall be Kohler Model K-2950-_____ - _____.

PRODUCT INFORMATION

ADA compliant.			
Fixture*:		basin area	water depth
Lavatory		17" x 11"	4-1/4"
Outlet	1-11/16" D.		
* Approximate measurements for comparison only.			
Holes	K-2950-8	K-2950-1	K-2950-4
Spout	1-1/8" D.	1-3/8" D.	1-1/8" D.
Faucet	1-5/16" D.		1-3/16" D.
Included Components:			
Overflow ferrule (1)			84896
Cutout template			113905-7



Roughing-In Notes

*Based on K-8998, with 1" tailpiece exposed.

(S) 10" (Based on 12" riser which may require cutting).

.65<116

PRODUCT DIAGRAM