

Ordering Information

Accessories/hardware:		
Jet trim kit	K-9696	required
Drain	K-7161-AF	optional
Shroud and base	K-8740	optional
Decorative drain	K-7178	optional

Requirements Electrical Service

Dedicated circuit required, protected with Class A Ground-Fault Circuit-Interrupter (GFCI):	
Pump/control	120 V., 20 A, 60 Hz

Product Information

Fixture*:	basin area	top area	weight
Bathing well	43-1/2" x 21-3/8"	52-1/4" x 28-5/8"	378 lbs.
	water depth	capacity	
To overflow	12-1/2"	58 gal.	

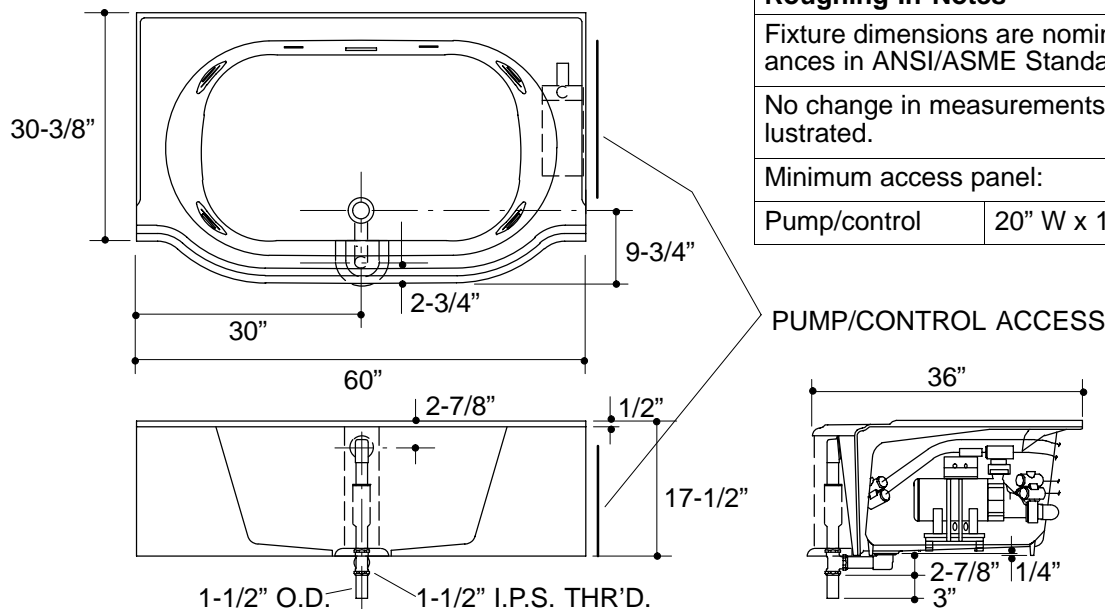
* Approximate measurements for comparison only.

Pump	high HP	low HP	V	Hz	A
2-speed	1	1/8	120	60	16.5

Installation Notes

Refer to installation instructions included with fixture before beginning installation.

Pump is supplied with a grounding type plug-in cord. Locate the outlet behind the whirlpool, and within 24" of the pump.



Roughing-In Notes

Fixture dimensions are nominal and conform to tolerances in ANSI/ASME Standard A112.19.1M.

No change in measurements if connected with drain illustrated.

Minimum access panel:

Pump/control	20" W x 15" H	required
--------------	---------------	----------

1.25>132