

## Ordering Information

Applicable product:		
Drop-in rim style	K-1244	shown
Integral flange	K-1244-F	not shown
Accessories/hardware:		
Jet trim kit	K-9695	included
Drain	K-7161-AF	recommended
Apron	K-1243	optional
Vinyl tiling-in bead*	K-1179	optional
*Use K-1179 vinyl bead when wall material contacts any top surface of bath.		

## Required Electrical Service

Dedicated circuit required, protected with Class A Ground-Fault Circuit-Interrupter (GFCI):	
Pump/control	120 V., 15 A, 60 Hz

## Product Information

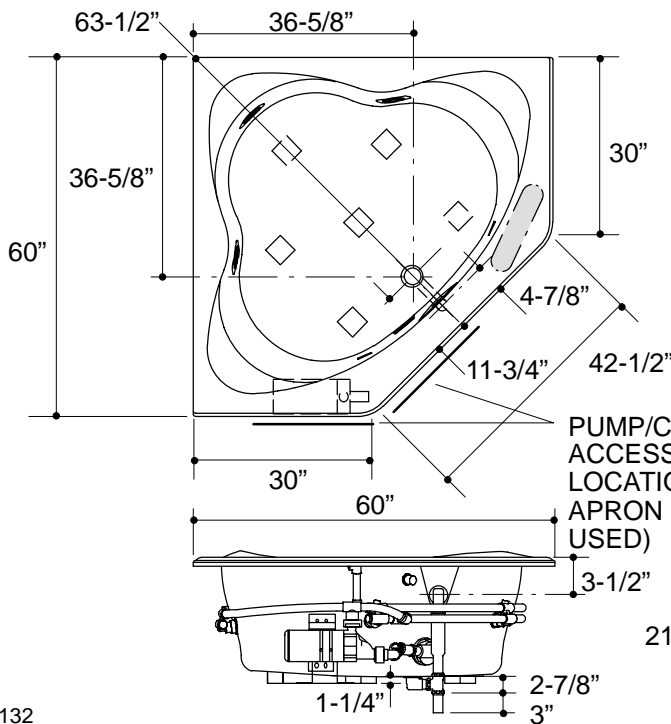
Fixture*:	basin area	top area	weight	
Bathing well	50" x 42"	60" x 46"	118 lbs.	
	water depth	capacity		
To overflow	14-1/2"	102 gal.		
* Approximate measurements for comparison only.				
Pump:	HP	V	Hz	A
1-speed	3/4	120	60	10.5
Included Components:				
Cutout template			113925-7	

## Installation Notes

Refer to installation instructions included with fixture before beginning installation.

If installing a rim-mount faucet, make sure there is no interference with drain overflow and circulating system before drilling any holes. Consult local and national codes for minimum air gap requirements if installing a spout on the faucet deck.

Pump is supplied with a grounding-type plug-in cord. Locate the outlet behind the whirlpool, and within 24" of the pump. The apron must be installed before the finish floor and wall materials are installed.



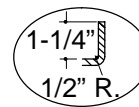
## Roughing-In Notes

Fixture conforms to ANSI Standard Z124.1. All dimensions are nominal.

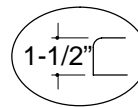
No change in measurements if connected with drain illustrated.

Minimum access panel:

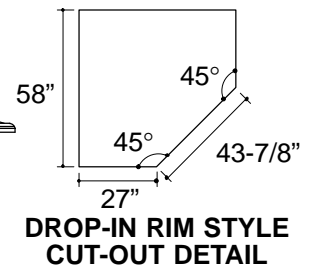
Pump/control	20" W x 15" H	required
Provide pump/control access in either location shown; supplies must not interfere with pump/control access.		
Faucet area		recommended



**INTEGRAL FLANGE DETAIL**



**DROP-IN RIM DETAIL**



**DROP-IN RIM STYLE CUT-OUT DETAIL**