

BATH FAUCET TRIM
K-T13321-5
ALSO K-300-K

ADA

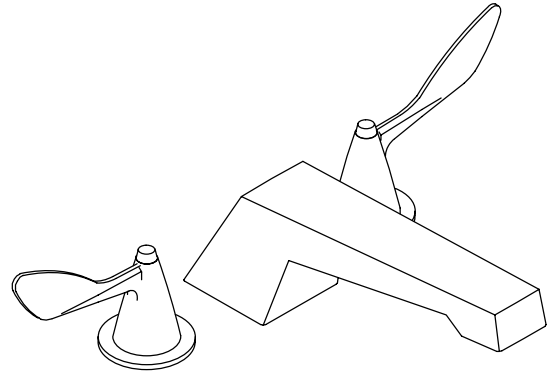
FEATURES

- Brass construction
- Deck-mount
- 8-3/4" Roman non-diverter spout with slip-fit connection
- Wrist control lever handles

CODES/STANDARDS APPLICABLE

Specified model meets or exceeds the following:

- ASME/ANSI A112.18.1M
- Canadian Standards Association (CSA)
- NSF 14



COLORS/FINISHES

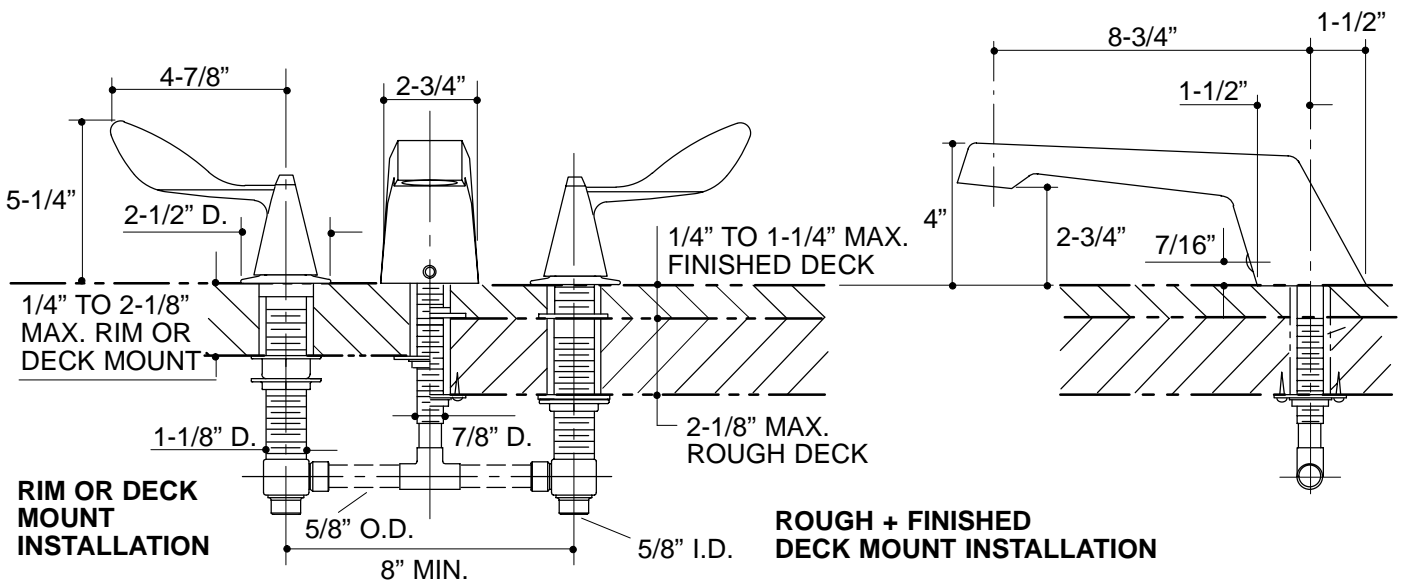
- CP Polished Chrome
- PB Polished Brass

SPECIFIED MODEL: For complete faucet, both faucet trim and valve system must be specified.

Model	Description	<input type="checkbox"/> CP	<input type="checkbox"/> PB
K-T13321-5	Finesse Deck-Mount Bath Faucet Trim	<input type="checkbox"/> CP	<input type="checkbox"/> PB
Required Accessory			
K-300-K	1/2" High-Flow Ceramic Disc Valve System	<input type="checkbox"/> NA	

PRODUCT SPECIFICATION:

Two-handle deck-mount bath faucet trim shall be of brass construction. Product shall include 8-3/4" Roman non-diverter spout with slip-fit connection, and wrist control lever handles. Faucet trim shall be Kohler Model K-T13321-5-_____ and valve system shall be K-300-K-NA.



PRODUCT DIAGRAM