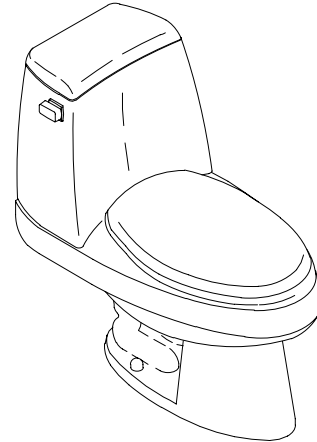


FEATURES

- 12" rough-in
- Vitreous china
- Elongated bowl
- 1.6 gpf
- Includes polished chrome trip lever
- 2" passageway
- 8-3/4" x 8-1/2" water area
- Combination toilet
- Less supply
- Includes French Curve™ seat



CODES/STANDARDS APPLICABLE

Specified model meets or exceeds the following:

- ASME/ANSI A112.19.2M
- ASME/ANSI A112.19.6M
- IAPMO/UPC
- Energy Policy Act of 1992 (EPACT)
- Canadian Standards Association (CSA)
- States of Massachusetts, New York, & Texas
- City of Los Angeles, CA

COLORS/FINISHES

- 0 White
- Other Refer to Fixtures Price Book for additional colors

Accessories:

- CP Polished Chrome
- PB Polished Brass
- Other Refer to Price Book for additional colors

SPECIFIED MODEL:

Model	Description	Colors/Finishes		
K-3446	Elongated bowl toilet	<input type="checkbox"/> 0 White	<input type="checkbox"/> Other_____	
Recommended Accessories				
K-7637	Angle supply with stop	<input type="checkbox"/> CP	<input type="checkbox"/> PB	<input type="checkbox"/> Other_____
Optional Accessories				
K-9407	Trip lever (non-CP)	<input type="checkbox"/> PB	<input type="checkbox"/> Other_____	

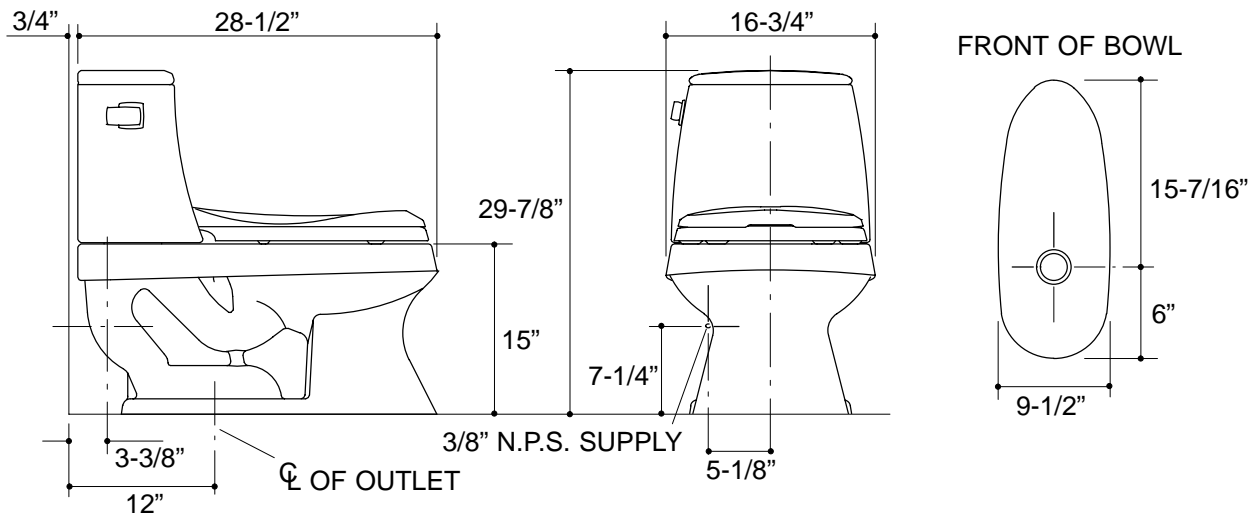
PRODUCT SPECIFICATION:

The elongated toilet combination shall be 12" rough-in. Toilet shall be made of vitreous china. Toilet shall be 1.6 gpf. Toilet shall include polished chrome trip lever. Toilet shall have 2" passageway. Toilet shall have 8-3/4" x 8-1/2" water area. Toilet shall be less seat and supply. Toilet shall include French Curve seat™. Toilet shall be Kohler Model K-3446-_____.

WELLINGTON™

PRODUCT INFORMATION

Fixture:	
Configuration	2-piece, elongated
Gallons per flush	1.6 gallons
Passageway	2"
Water area	8-3/4" x 8-1/2"
Water depth from rim	6-7/8"
Seat post hole centers	5-1/2"
Included Components:	
Bowl	K-4246
Tank	K-4646
Tank cover	83584



PRODUCT DIAGRAM