

Ordering Information

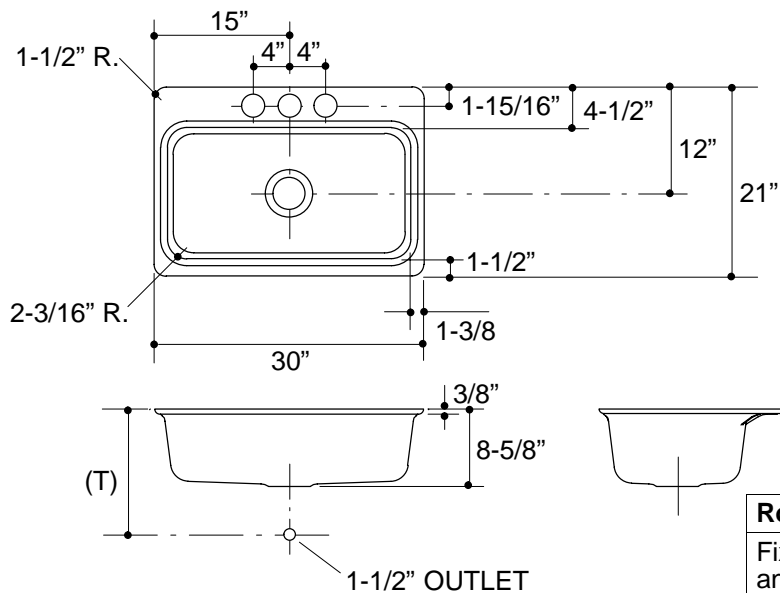
Applicable product:		
Three-hole sink	K-5834-3U	shown
Accessories/hardware:		
Cutting board	K-5836	optional
Bottom basin rack	K-6517	optional
Duostrainer® sink strainer	K-8801	recommended

Product Information

Fixture*:		basin area	water depth
Sink		27" x 15"	8"
Outlet	3-5/8" D.		
Faucet holes	2-3/8" D.		
* Approximate measurements for comparison only.			
Included Components:			
Cutout template			113837-7

Installation Notes

Refer to installation instructions included with fixture before beginning installation.



Roughing-In Notes
Fixture dimensions are nominal and conform to tolerances in ASME/ANSI Standard A112.19.1M.
(T) Drain typically 14".
Faucet holes in undercounter fixture are oversized at 2-3/8" D. Drill faucet holes in counter according to fitting rough-in.

.75<116