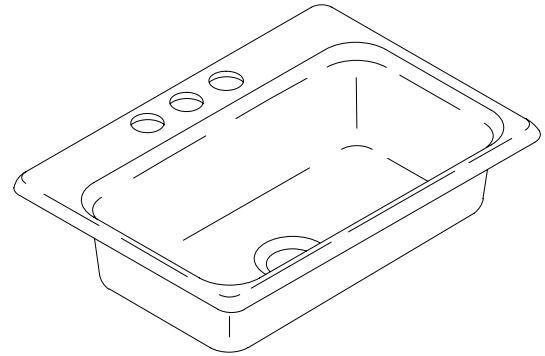


UNDERCOUNTER KITCHEN SINK

K-5834-3U

FEATURES

- 30" x 21"
- Cast iron
- Acid resistant enamel finish
- Undercounter
- Single compartment
- 3-hole drilling (oversized)



CODES/STANDARDS APPLICABLE

Specified model meets or exceeds the following:

- ASME/ANSI A112.19.1M
- IAPMO/UPC

COLORS/FINISHES

- 0 White
- Other Refer to Fixtures Price Book for additional colors

Accessories:

- CP Polished Chrome
- 0 White
- Other Refer to Price Book for additional colors

SPECIFIED MODEL:

Model	Description	Colors/Finishes	
K-5834-3U	3-hole sink	<input type="checkbox"/> 0 White	<input type="checkbox"/> Other_____

Recommended Accessories			
K-9000	Trap	<input type="checkbox"/> CP	

Optional Accessories			
K-5836	Polyethylene cutting board	<input type="checkbox"/> 0 White	
K-6517	Bottom basin rack	<input type="checkbox"/> 0 White	<input type="checkbox"/> Other_____
K-8801	Duostrainer sink strainer	<input type="checkbox"/> CP	<input type="checkbox"/> Other_____

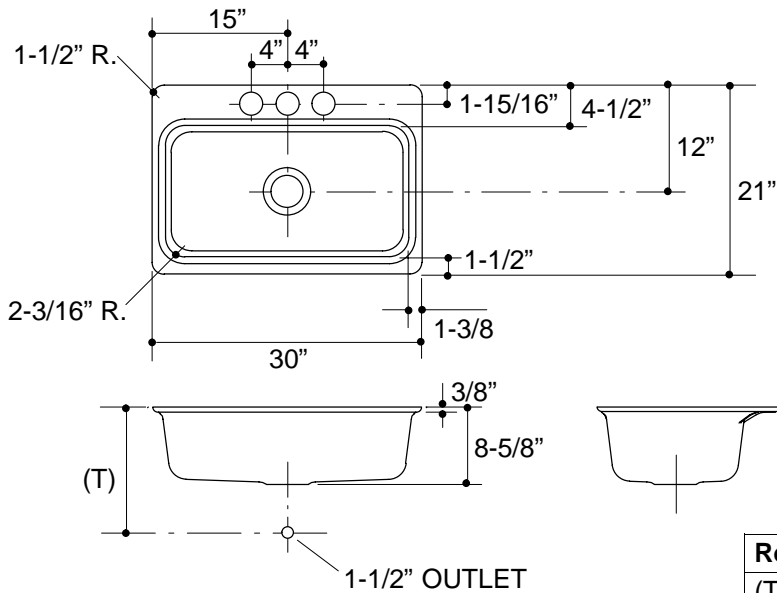
PRODUCT SPECIFICATION:

The undercounter sink shall be 30" in length, and 21" in width. Sink shall be made of cast iron with acid resistant enamel finish. Sink shall be single compartment. Sink shall be 3-hole (oversized) faucet drilled. Sink shall be Kohler Model K-5834-3U-_____.

BAKERSFIELD™

PRODUCT INFORMATION

Fixture*:		basin area	water depth
Sink		27" x 15"	8"
Outlet	3-5/8" D.		
Faucet holes	2-3/8" D.		
* Approximate measurements for comparison only.			
Included Components:			
Cutout template		113837-X2	



Roughing-In Notes

(T) Drain typically 14".

Faucet holes in undercounter fixture are oversized at 2-3/8" D. Drill faucet holes in counter according to fitting rough-in.

.75<116

PRODUCT DIAGRAM