

Ordering Information

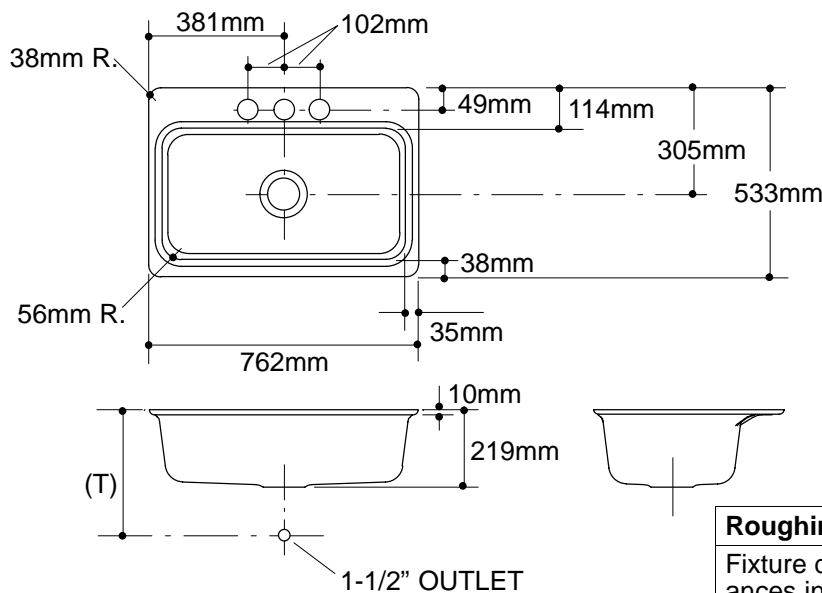
Applicable product:		
Three-hole sink	K-5834-3U	shown
Accessories/hardware:		
Cutting board	K-5836	optional
Bottom basin rack	K-6517	optional
Duostrainer® sink strainer	K-8801	recommended

Product Information

Fixture*:		basin area	water depth
Sink		686 x 381mm	203mm
Outlet	Ø92mm		
Faucet holes	Ø60mm		
* Approximate measurements for comparison only.			
Included Components:			
Cutout template			113837-7

Installation Notes

Refer to installation instructions included with fixture before beginning installation.



Roughing-In Notes
Fixture dimensions are nominal and conform to tolerances in ASME/ANSI Standard A112.19.1M.
(T) Drain typically 356mm.
Faucet holes in undercounter fixture are oversized at Ø60mm. Drill faucet holes in counter according to fitting rough-in.

.75<116