

Ordering Information

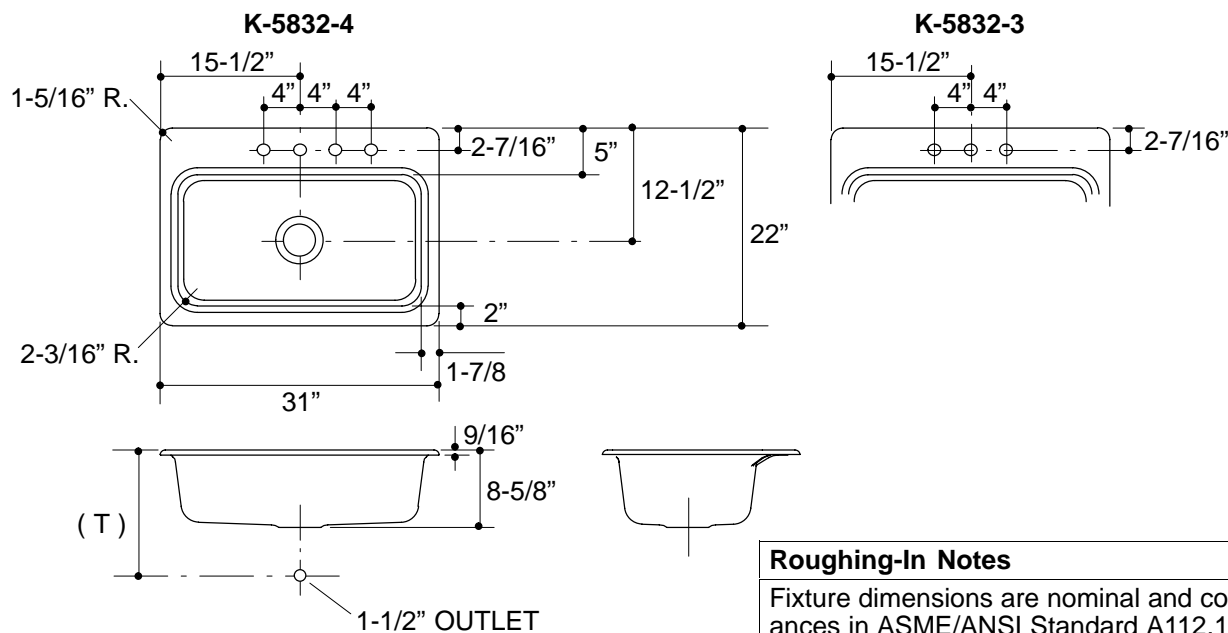
Applicable product:		
Four-hole sink	K-5832-4	shown
Three-hole sink	K-5832-3	not shown
Accessories/hardware:		
Cutting board	K-5836	optional
Bottom basin rack	K-6517	optional
Duostrainer® sink strainer	K-8801	recommended

Product Information

Fixture*:		basin area	water depth
Sink		27" x 15"	8"
Outlets	3-5/8" D.		
Faucet holes	1-3/8" D.		
* Approximate measurements for comparison only.			

Installation Notes

Refer to installation instructions included with fixture before beginning installation.



Roughing-In Notes

Fixture dimensions are nominal and conform to tolerances in ASME/ANSI Standard A112.19.1M.

(T) Drain typically 14".

Cutout	29-3/4" x 20-3/4" with 1" radius corners.
--------	---

.75<116