

Ordering Information

Accessories/hardware:		
Drain	K-7161-AF	recommended

Product Information

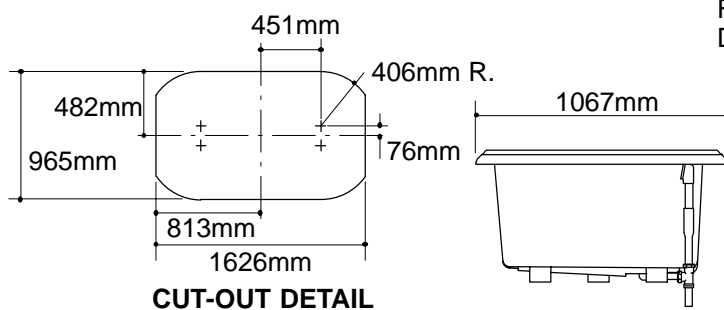
Fixture*:	basin area	top area	weight
Bathing well	1270 x 737mm	1549 x 813mm	39 Kg.
	water depth	capacity	
To overflow	406mm	379 litres	
* Approximate measurements for comparison only.			
Included Components:			
Cutout template	113311-7		

Installation Notes

Refer to installation instructions included with fixture before beginning installation.

If installing a rim-mount faucet, make sure there is no interference with drain overflow. Consult local and national codes for minimum air gap requirements if installing a spout on the faucet deck.

Roughing-In Notes		
Fixture dimensions are nominal and conform to tolerances in ANSI Standard Z124.1.		
No change in measurements if connected with drain illustrated.		
Faucet area		recommended



1.25>132

