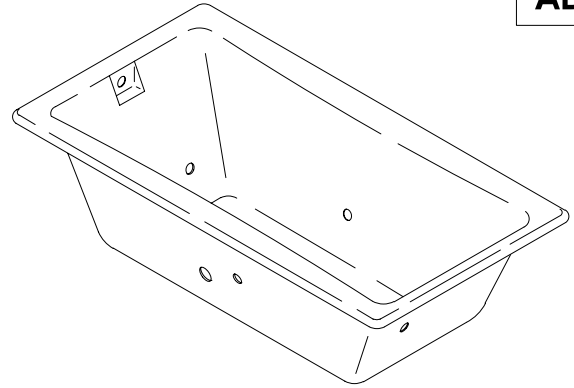


# K-852-H

ADA



## FEATURES

- 60" x 32" x 18-1/4"
- Cast iron with Safeguard® finish
- System II - 1 hp 2 speed pump with integral heater & electronic switch
- 4 Flexjets
- UL Listed
- ADA compliant when installed with seat at head end
- LESS ALL TRIM
- Pump is supplied with a grounding-type plug-in cord

## CODES/STANDARDS APPLICABLE

Specified model meets or exceeds the following:

- ADA
- ASME/ANSI A112.19.1M
- ASME/ANSI A112.19.7M
- CABO/ANSI A117.1
- IAPMO/UPC
- Underwriters Laboratories (UL)
- State of Massachusetts
- City of Los Angeles, CA

## COLORS/FINISHES

- 0 White
- Other Refer to Fixtures Price Book for additional colors

### Accessories:

- CP Polished Chrome
- PB Polished Brass
- Other Refer to Faucets Price Book for additional finishes
- NA None Applicable

## SPECIFIED MODEL:

Model	Description	Colors/Finishes	
K-852-H	5' bath whirlpool	<input type="checkbox"/> 0 White	<input type="checkbox"/> Other_____

Required Accessories				
K-9694	Jet trim kit	<input type="checkbox"/> CP	<input type="checkbox"/> PB	<input type="checkbox"/> Other_____
K-7169-AF	Drain	<input type="checkbox"/> CP	<input type="checkbox"/> PB	<input type="checkbox"/> Other_____

Optional Accessories		
K-1172	Adjustable feet	<input type="checkbox"/> NA
K-586	Undermount installation kit (template and installation instructions)	<input type="checkbox"/> NA
K-1179	Vinyl tiling-in bead (use when wall material contacts any top surface of bath)	<input type="checkbox"/> NA

## PRODUCT SPECIFICATION:

The bath whirlpool shall be 60" in length, 32" in width, and 18-1/4" in height. Bath whirlpool shall be made of cast iron with Safeguard® finish. Bath whirlpool shall have System II, with 4 Flexjets, 1 hp 2 speed pump with integral heater, and electronic switch. Bath whirlpool shall be UL listed. Bath whirlpool shall be ADA compliant when installed with seat at head end. Bath whirlpool shall be less all trim. Bath whirlpool pump shall be supplied with a grounding-type plug-in cord. Bath whirlpool shall be Kohler Model K-852-H-\_\_\_\_\_.

# TEA-FOR-TWO™

## REQUIRED ELECTRICAL SERVICE

Dedicated circuit required, protected with Class A Ground-Fault Circuit-Interrupter (GFCI):	
Pump/control	120 V., 20 A, 60 Hz

## PRODUCT INFORMATION

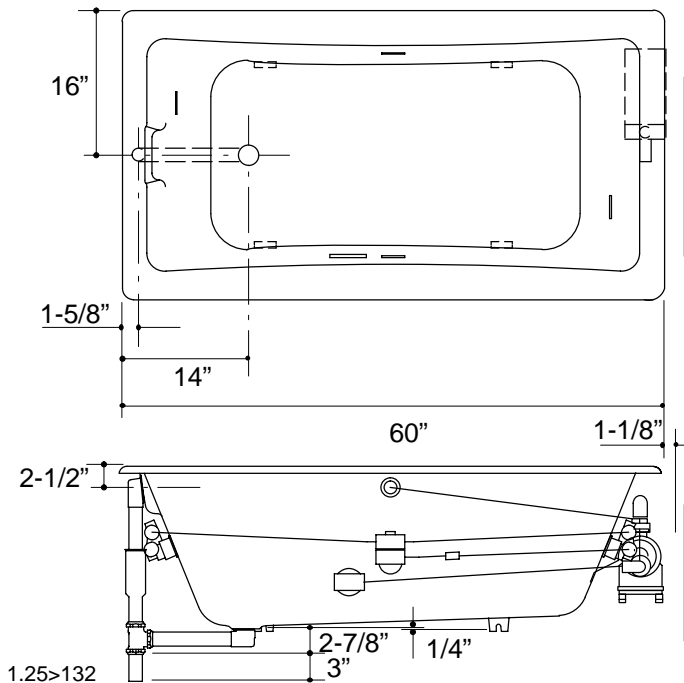
Fixture*:	basin area	top area	weight
Bathing well	40-1/2" x 20"	52-3/4" x 24"	280 lbs.
	water depth	capacity	
To overflow	13-5/8"	60 gal.	

\* Approximate measurements for comparison only.

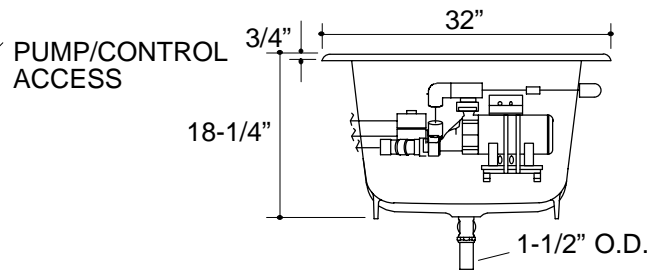
Pump	high HP	low HP	V	Hz	A
2-speed	1	1/8	120	60	16.5

## INSTALLATION NOTES

Each pump is supplied with a grounding type plug-in cord. Locate the outlet behind the whirlpool, and within 24" of the pump.



Roughing-In Notes	
No change in measurements if connected with drain illustrated.	
Pump extends 1-1/8" beyond the bath rim. Make provisions during rough-in or installation.	
Cut-out for drop-in	58-1/2" x 30-1/2"
Cut-out for undermount	K-586 template required
Minimum access panel:	
Pump/control	20" W x 15" H
	required



## PRODUCT DIAGRAM