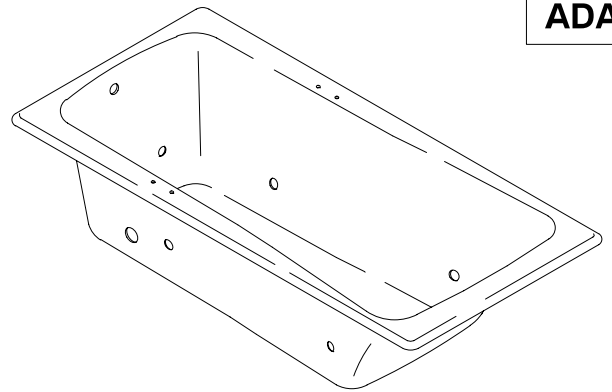


K-842-H, K-845-H

ADA



FEATURES

- 66" x 32" x 18-1/4"
- Cast iron with Safeguard® finish
- System II - 1 hp 2 speed pump with integral heater & electronic switch
- 5 Flexjets
- UL Listed
- ADA compliant when installed with seat at head end
- LESS ALL TRIM
- Drilled for K-9621 grip rails (required for K-842-H)
- Pump is supplied with a grounding-type plug-in cord

CODES/STANDARDS APPLICABLE

Specified model meets or exceeds the following:

- ADA
- ASME/ANSI A112.19.1M
- ASME/ANSI A112.19.7M
- CABO/ANSI A117.1
- IAPMO/UPC
- Underwriters Laboratories (UL)
- State of Massachusetts

COLORS/FINISHES

- 0 White
- Other Refer to Fixtures Price Book for additional colors

Accessories:

- CP Polished Chrome
- PB Polished Brass
- Other Refer to Faucets Price Book for additional finishes
- NA None Applicable

SPECIFIED MODEL:

Model	Description	Colors/Finishes	
K-842-H	Bath whirlpool with grip rail drillings	<input type="checkbox"/> 0 White	<input type="checkbox"/> Other_____
K-845-H	Bath whirlpool less grip rail drillings	<input type="checkbox"/> 0 White	<input type="checkbox"/> Other_____

Required Accessories				
K-9695	Jet trim kit	<input type="checkbox"/> CP	<input type="checkbox"/> PB	<input type="checkbox"/> Other_____
K-9621 (K-842 only)	Grip rails (pair)	<input type="checkbox"/> CP	<input type="checkbox"/> PB	<input type="checkbox"/> Other_____
Recommended Accessories				
K-7161-AF	Drain	<input type="checkbox"/> CP	<input type="checkbox"/> PB	<input type="checkbox"/> Other_____
Optional Accessories				
K-1172	Adjustable feet			<input type="checkbox"/> NA
K-585	Undermount installation kit (template and installation instructions for K-845-H only)			<input type="checkbox"/> NA
K-1179	Vinyl tiling-in bead (use when wall material contacts any top surface of bath)			<input type="checkbox"/> NA

PRODUCT SPECIFICATION:

The bath whirlpool shall be 66" in length, 32" in width, and 18-1/4" in height. Bath whirlpool shall be made of cast iron with Safeguard® finish. Bath whirlpool shall have System II, with 5 Flexjets, 1 hp 2 speed pump with integral heater, and electronic switch. Bath whirlpool shall be UL listed. Bath whirlpool shall be less all trim. Bath whirlpool shall be ADA compliant when installed with seat at head end. Bath whirlpool shall be drilled for K-9621 grip rails (required for K-842-H). Bath whirlpool pump shall be supplied with a grounding-type plug-in cord. Bath whirlpool shall be Kohler Model K-_____-_____-_____.

MAESTRO™

REQUIRED ELECTRICAL SERVICE

Dedicated circuit required, protected with Class A Ground-Fault Circuit-Interrupter (GFCI):	
Pump/control	120 V., 20 A, 60 Hz

PRODUCT INFORMATION

Fixture*:	basin area	top area	weight
Bathing well	47" x 21"	57" x 25"	410 lbs.
	water depth	capacity	
To overflow	13"	55 gal.	

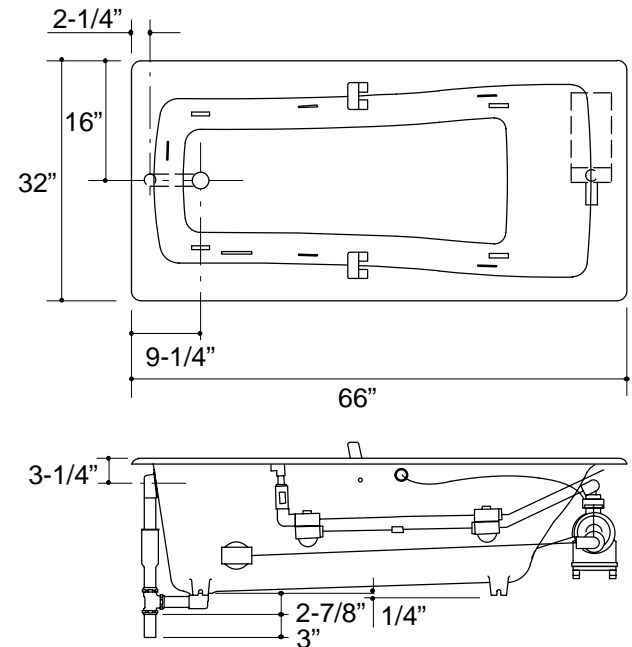
* Approximate measurements for comparison only.

Pump	high HP	low HP	V	Hz	A
2-speed	1	1/8	120	60	16.5

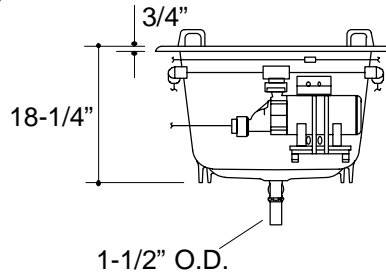
INSTALLATION NOTES

Each pump is supplied with a grounding type plug-in cord. Locate the outlet behind the whirlpool, and within 24" of the pump.

Roughing-In Notes		
No change in measurements if connected with drain illustrated.		
Cut-out for drop-in	64-1/2" x 30-1/2"	
Cut-out for undermount	K-585 template required	
Minimum access panel:		
Pump/control	20" W x 15" H	required



PUMP/CONTROL ACCESS



1.25>132

PRODUCT DIAGRAM