

Ordering Information

Applicable product:		
With grip rail drillings	K-842-H	shown
Without grip rails	K-845-H	not shown
Accessories/hardware:		
Jet trim kit	K-9695	required
Drain	K-7161-AF	recommended
Adjustable feet	K-1172	optional
Grip rails (K-842 only)	K-9621	required
Undermount installation kit (K-845 only)	K-585	optional
Vinyl tiling-in bead*	K-1179	optional
*Use K-1179 vinyl bead when wall material contacts any top surface of bath.		

Required Electrical Service

Dedicated circuit required, protected with Class A Ground-Fault Circuit-Interrupter (GFCI):	
Pump/control	120 V., 20 A, 60 Hz

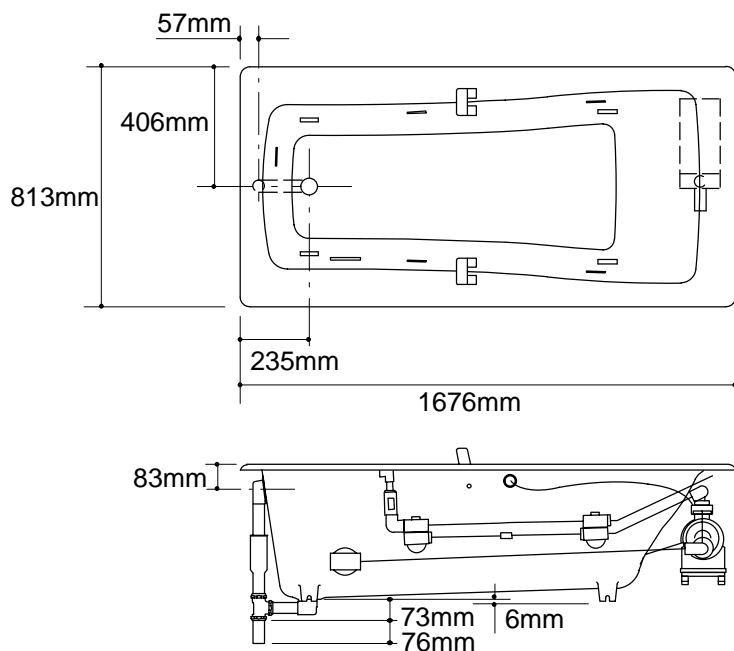
Product Information

Fixture*:	basin area	top area	weight		
Bathing well	1194 x 533mm	1448 x 635mm	186 Kg.		
	water depth	capacity			
To overflow	330mm	208 litres			
* Approximate measurements for comparison only.					
Pump	high HP	low HP	V	Hz	A
2-speed	1	1/8	120	60	16.5

Installation Notes

Refer to installation instructions included with fixture before beginning installation.

Pump is supplied with a grounding type plug-in cord. Locate the outlet behind the whirlpool, and within 610mm of the pump.



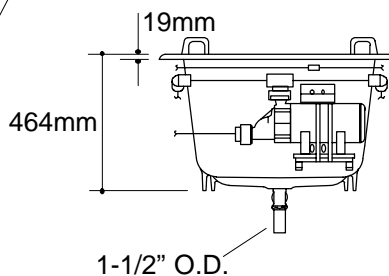
Roughing-In Notes

Fixture dimensions are nominal and conform to tolerances in ANSI/ASME Standard A112.19.1.

No change in measurements if connected with drain illustrated.

Cut-out for drop-in	1638 x 775mm	
Cut-out for undermount	K-585 template required	
Minimum access panel:		
Pump/control	508mm W x 381mm H panel	required

PUMP/CONTROL ACCESS



1.25>132

K-842-H, K-845-H Maestro™ Bath Whirlpool
113993-1M-BA (-)

KOHLER®