

Ordering Information

Applicable product:		
Drop-in rim style	K-1206	shown
Left outlet, integral flange	K-1206-L	not shown
Right outlet, integral flange	K-1206-R	not shown
Accessories/hardware:		
Jet trim kit	K-9694	included
Drain	K-7161-AF	recommended
Apron	K-1278	optional
Vinyl tiling-in bead*	K-1177	optional
*Use K-1177 vinyl bead when wall material contacts any top surface of the drop-in rim style bath.		

Required Electrical Service

Dedicated circuit required, protected with Class A Ground-Fault Circuit-Interrupter (GFCI):	
Pump/control	120 V., 15 A, 60 Hz

Product Information

Fixture*:	basin area	top area	weight
Bathing well	44" x 22"	55" x 25"	100 lbs.
	water depth	capacity	
To overflow	15-1/8"	68 gal.	

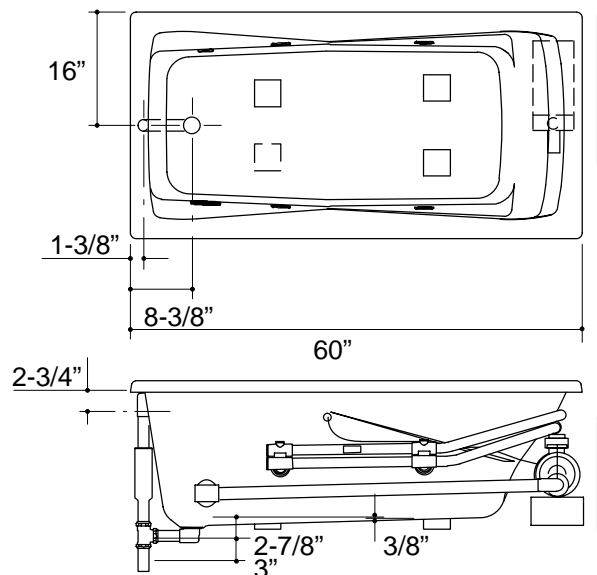
* Approximate measurements for comparison only.

Pump:	HP	V	Hz	A
60 Hz	3/4	120	60	10.5

Installation Notes

Refer to installation instructions included with fixture before beginning installation.

Each pump is supplied with a grounding type plug-in cord. Locate the outlet behind the whirlpool, and within 24" of the pump.



1.25>132

Roughing-In Notes		
Fixture conforms to ANSI Standard Z124.1. All dimensions are nominal.		
No change in measurements if connected with drain illustrated.		
Cut-out	K-1206 drop-in rim style, 58-1/2" x 30-1/2"	
Minimum access panel:		
Pump/control	20" W x 15" H	required

PUMP/CONTROL ACCESS

