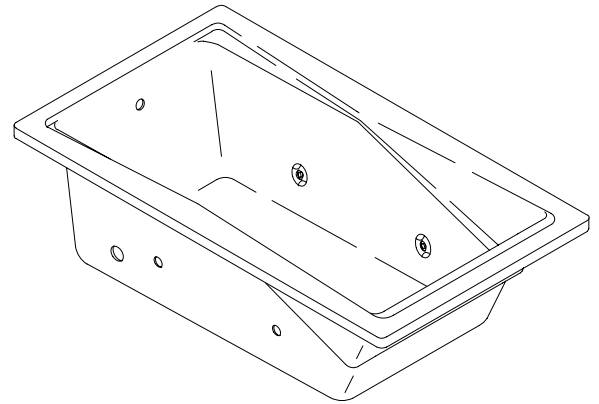


FEATURES

- 60" x 32" x 20"
- Acrylic
- Drop-in rim style or integral flange
- System I - 3/4 hp pump with air switch actuator
- 4 factory-installed color-matched plastic Flexjets
- UL Listed
- Optional K-1278 front apron
- Pump is supplied with a grounding-type plug in cord



CODES/STANDARDS APPLICABLE

Specified model meets or exceeds the following:

- ANSI/ASME Z124.1
- IAPMO/UPC
- City of Los Angeles, CA

COLORS/FINISHES

- 0 White
- Other Refer to Fixtures Price Book for additional colors

Accessories:

- CP Polished Chrome
- PB Polished Brass
- Other Refer to Faucets Price Book for additional finishes
- NA None Applicable

SPECIFIED MODEL:

Model	Description	Colors/Finishes	
K-1206	Drop-in rim style	<input type="checkbox"/> 0 White	<input type="checkbox"/> Other_____
K-1206-L	Left outlet, integral flange	<input type="checkbox"/> 0 White	<input type="checkbox"/> Other_____
K-1206-R	Right outlet, integral flange	<input type="checkbox"/> 0 White	<input type="checkbox"/> Other_____

Recommended Accessories			
K-7161-AF	Drain	<input type="checkbox"/> CP	<input type="checkbox"/> PB <input type="checkbox"/> Other_____
Optional Accessories			
K-1278	Apron (removable)	<input type="checkbox"/> 0 White	<input type="checkbox"/> Other_____
K-9694	Flexjet trim kit (metal finishes)	<input type="checkbox"/> CP <input type="checkbox"/> PB	<input type="checkbox"/> Other_____
K-1177	Vinyl tiling-in bead (use when wall material contacts any top surface of bath)	<input type="checkbox"/> NA	

PRODUCT SPECIFICATION:

The bath whirlpool shall be 60" in length, 32" in width, and 20" in height. Bath whirlpool shall be made of acrylic. Bath shall be either drop-in rim style or integral flange. Bath whirlpool shall have System I, 3/4 hp pump with air switch actuator. Bath whirlpool shall have 4 factory-installed color-matched plastic Flexjets. Bath whirlpool shall be UL listed. Bath whirlpool shall have optional K-1278 front apron. Bath whirlpool pump shall be supplied with a grounding-type plug-in cord. Bath whirlpool shall be Kohler Model K-1206-_____.

HOURGLASS™

REQUIRED ELECTRICAL SERVICE

Dedicated circuit required, protected with Class A Ground-Fault Circuit-Interrupter (GFCI):

Pump/control	120 V., 15 A, 60 Hz
--------------	---------------------

PRODUCT INFORMATION

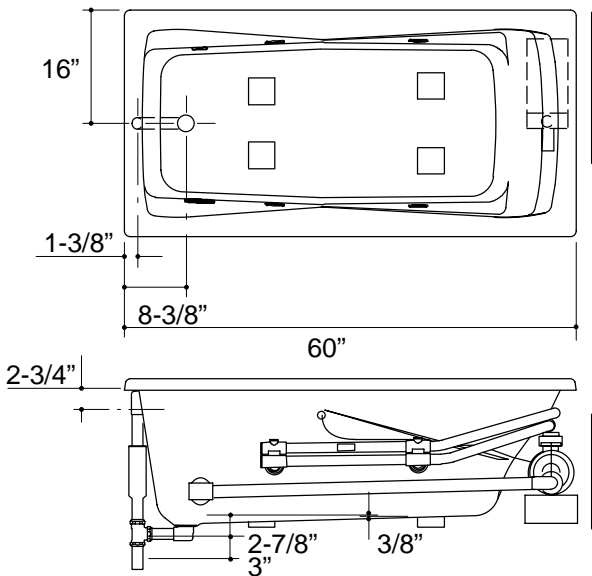
Fixture*:	basin area	top area	weight
Bathing well	44" x 22"	55" x 25"	100 lbs.
	water depth	capacity	
To overflow	15-1/8"	68 gal.	

* Approximate measurements for comparison only.

Pump:	HP	V	Hz	A
60 Hz	3/4	120	60	10.5

INSTALLATION NOTES

Each pump is supplied with a grounding type plug-in cord. Locate the outlet behind the whirlpool, and within 24" of the pump.



Roughing-In Notes

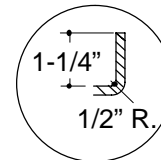
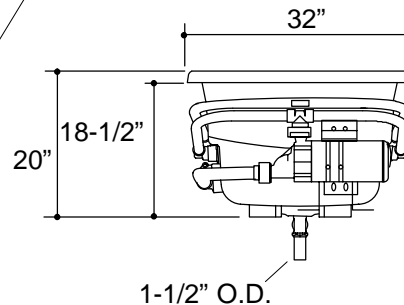
No change in measurements if connected with drain illustrated.

Cut-out	K-1206 drop-in rim style, 58-1/2" x 30-1/2"
---------	---

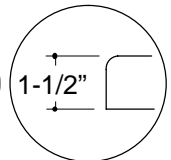
Minimum access panel:

Pump/control	20" W x 15" H	required
--------------	---------------	----------

PUMP/CONTROL ACCESS



**INTEGRAL FLANGE
DETAIL**



**DROP-IN RIM
DETAIL**

1.25>132

PRODUCT DIAGRAM