

Ordering Information

Applicable product:		
Drop-in rim style	K-1206	shown
Left outlet, integral flange	K-1206-L	not shown
Right outlet, integral flange	K-1206-R	not shown
Accessories/hardware:		
Jet trim kit	K-9694	included
Drain	K-7161-AF	recommended
Apron	K-1278	optional
Vinyl tiling-in bead*	K-1177	optional
*Use K-1177 vinyl bead when wall material contacts any top surface of the drop-in rim style bath.		

Required Electrical Service

Dedicated circuit required, protected with Class A Ground-Fault Circuit-Interrupter (GFCI):	
Pump/control	120 V., 15 A, 60 Hz

Product Information

Fixture*:	basin area	top area	weight
Bathing well	1118 x 559mm	1397 x 635mm	45 Kg.
	water depth	capacity	
To overflow	384mm	257 litres	

* Approximate measurements for comparison only.

Pump:	HP	V	Hz	A
60 Hz	3/4	120	60	10.5

Installation Notes

Refer to installation instructions included with fixture before beginning installation.

Pump is supplied with a grounding type plug-in cord. Locate the outlet behind the whirlpool, and within 610mm of the pump.

Roughing-In Notes

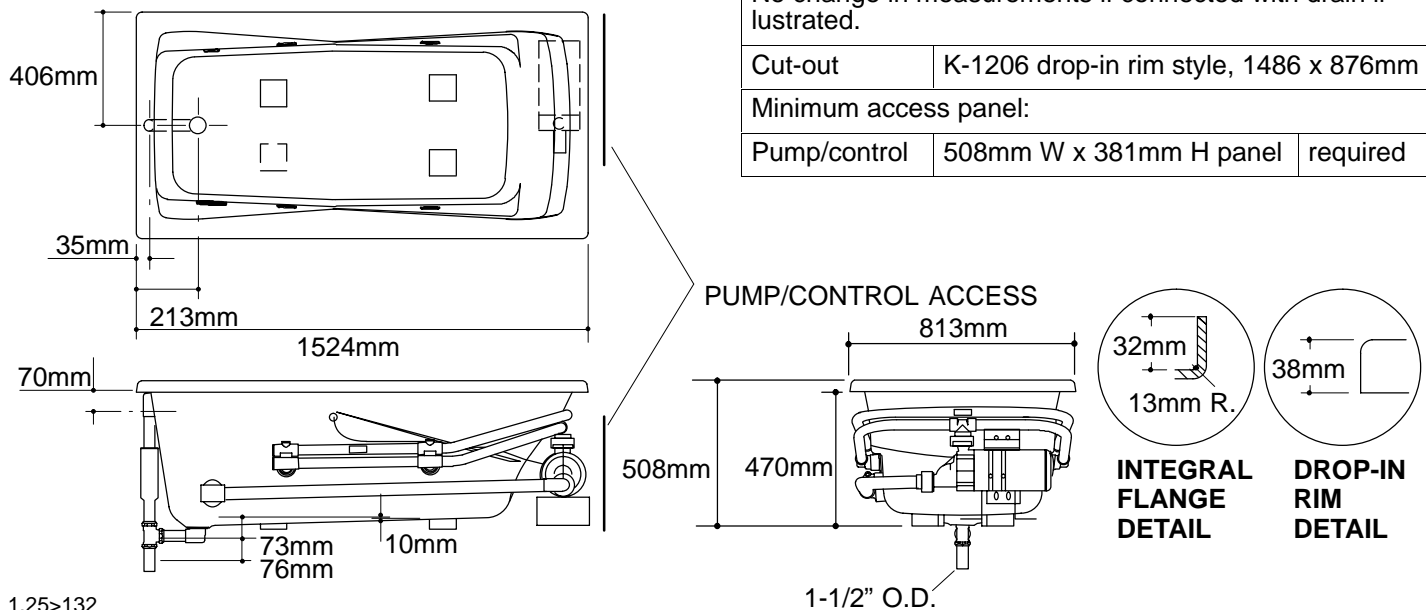
Fixture conforms to ANSI Standard Z124.1. All dimensions are nominal.

No change in measurements if connected with drain illustrated.

Cut-out K-1206 drop-in rim style, 1486 x 876mm

Minimum access panel:

Pump/control 508mm W x 381mm H panel required



1.25>132