

## Ordering Information

Accessories/hardware:		
Jet trim kit	K-9695	included
Drain	K-7161-AF	recommended
Apron	K-1283	optional

## Required Electrical Service

Dedicated circuit required, protected with Class A Ground-Fault Circuit-Interrupter (GFCI):	
Pump/control	120 V., 15 A, 60 Hz

## Product Information

Fixture*:	basin area	top area	weight
Bathing well	1219 x 660mm	1676 x 940mm	47 Kg.
	water depth	capacity	
To overflow	362mm	326 litres	

\* Approximate measurements for comparison only.

Pump:	HP	V	Hz	A
1-speed	3/4	120	60	10.5

## Installation Notes

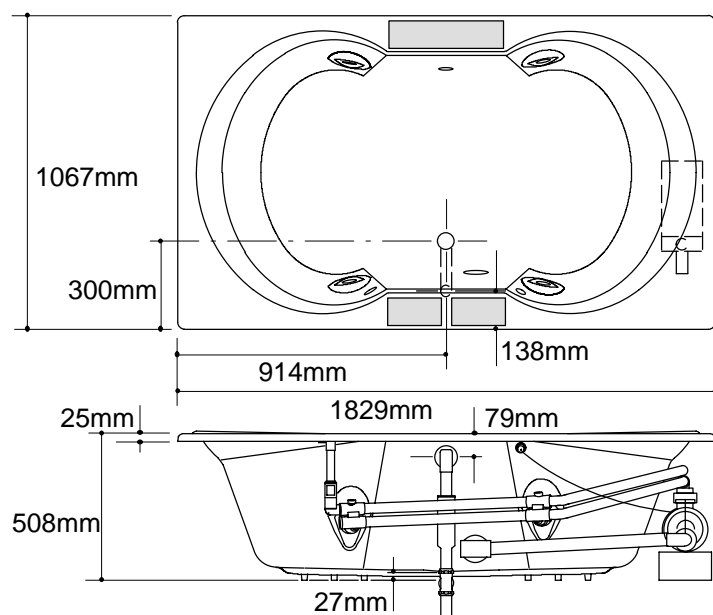
Refer to installation instructions included with fixture before beginning installation.

If installing a rim-mount faucet, make sure there is no interference with drain overflow and circulating system before drilling any holes. Consult local and national codes for minimum air gap requirements if installing a spout on the faucet deck.

Pump is supplied with a grounding type plug-in cord. Locate the outlet behind the whirlpool, and within 610mm of the pump.

The apron must be installed before the finish floor and wall materials are installed.

**NOTICE:** The Overture bath is designed for bathing only. It is not designed to be used in a three wall alcove with an overhead shower.



1.15>132

## Roughing-In Notes

Fixture conforms to ANSI Standard Z124.1. All dimensions are nominal.

No change in measurements if connected with drain illustrated.

Cut-out 1791 x 1029mm

Minimum access panel:

Pump/control 508mm W x 381mm H required

Faucet area recommended

PUMP/CONTROL ACCESS (IF APRON IS NOT USED)

