

### Ordering Information

Accessories/hardware:		
Jet trim kit	K-9694	required
Drain	K-7169-AF	recommended
Apron	K-1393	optional
Vinyl tiling-in bead*	K-1177	optional

\*Use K-1177 vinyl bead when wall material contacts any top surface of bath.

### Required Electrical Service

Dedicated circuits required, protected with Class A Ground-Fault Circuit-Interrupter (GFCI):	
Pump/control	120 V., 20 A, 60 Hz

### Product Information

Fixture*:	basin area	top area	weight
Bathing well	1092 x 635mm	1397 x 711mm	48 Kg.
	water depth	capacity	
To overflow	413mm	326 litres	

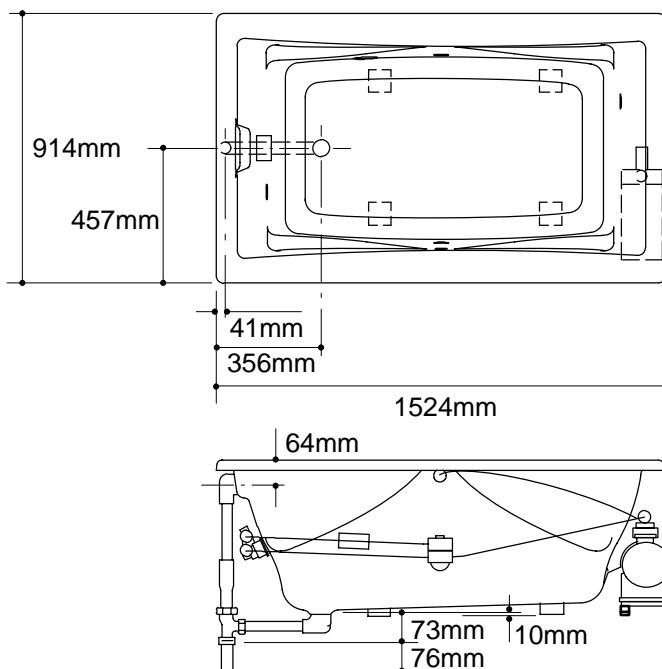
\* Approximate measurements for comparison only.

Pump	high HP	low HP	V	Hz	A
2-speed	1	1/8	120	60	16.5

### Installation Notes

Refer to installation instructions included with fixture before beginning installation.

Pump is supplied with a grounding type plug-in cord. Locate the outlet behind the whirlpool, and within 610mm of the pump.



1.25>132

Roughing-In Notes		
Fixture dimensions are nominal and conform to tolerances in ANSI Standard Z124.1.		
No change in measurements if connected with drain illustrated.		
Cut-out	1486 x 876mm	
Minimum access panel:		
Pump/control	508mm W x 381mm H panel	required

PUMP/CONTROL ACCESS

