

Ordering Information

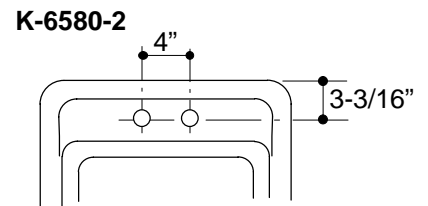
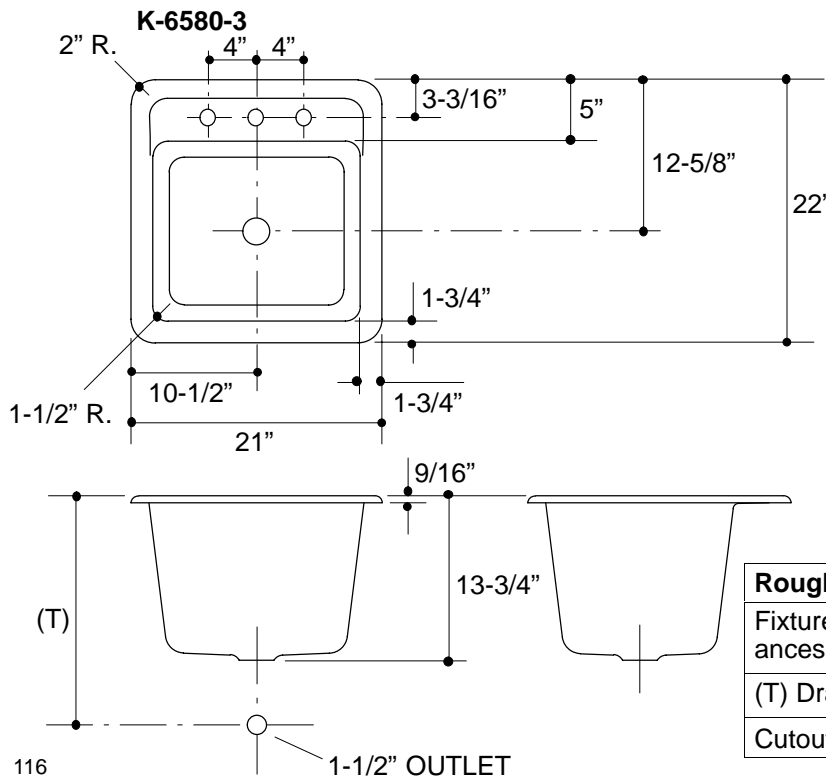
Applicable product:		
Three-hole laundry sink	K-6580-3	shown
Two-hole laundry sink	K-6580-2	not shown

Product Information

Fixture*:		basin area	water depth
Sink		18" x 15"	12-5/8"
Water capacity	15 gals.		
Outlets	2-1/8" D.		
Faucet holes	1-3/8" D.		
* Approximate measurements for comparison only.			

Installation Notes

Refer to installation instructions included with fixture before beginning installation.



Roughing-In Notes	
Fixture dimensions are nominal and conform to tolerances in ASME/ANSI Standard A112.19.1M.	
(T) Drain typically 19-1/8".	
Cutout	19-3/4" x 20-3/4" with 1" radius corners.

116