

**Ordering Information**

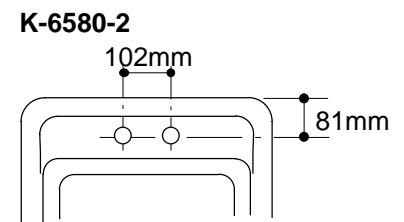
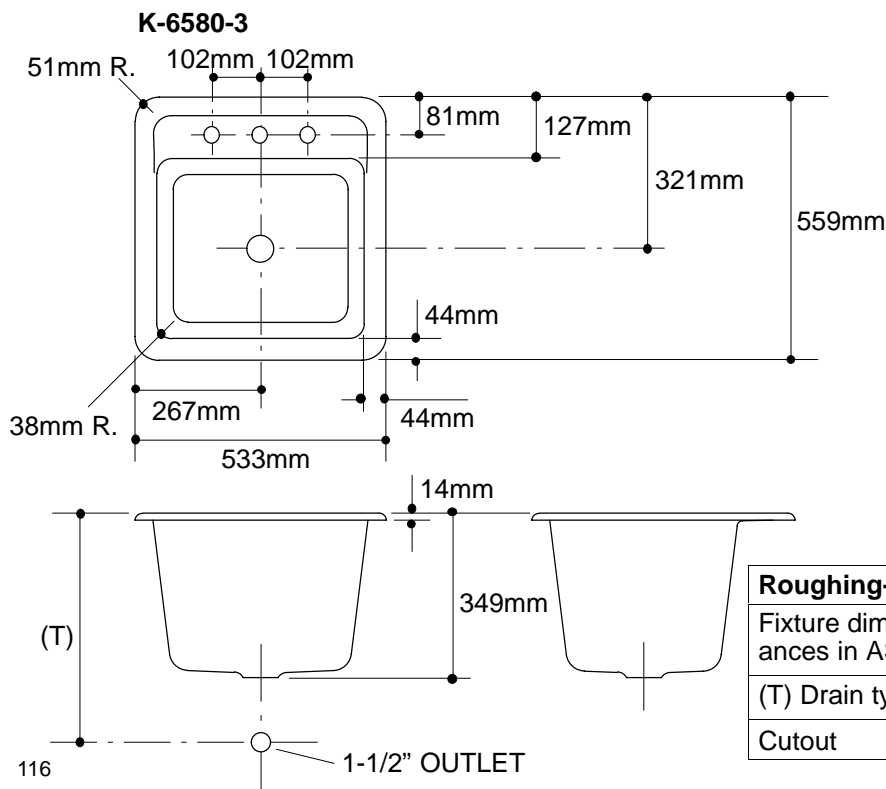
Applicable product:		
Three-hole laundry sink	K-6580-3	shown
Two-hole laundry sink	K-6580-2	not shown

**Product Information**

Fixture*:		basin area	water depth
Sink		457 x 381mm	321mm
Water capacity	57 litres		
Outlets	Ø54mm		
Faucet holes	Ø35mm		
* Approximate measurements for comparison only.			

**Installation Notes**

Refer to installation instructions included with fixture before beginning installation.



<b>Roughing-In Notes</b>	
Fixture dimensions are nominal and conform to tolerances in ASME/ANSI Standard A112.19.1M.	
(T) Drain typically 486mm.	
Cutout	502 x 527mm.