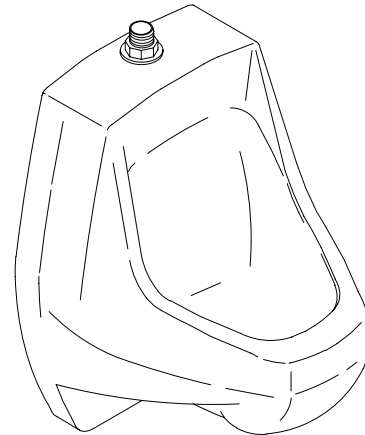


### FEATURES

- Vitreous china
- Siphon jet
- 3/4" top spud
- 1.0 gallon flush
- ADA compliant when rim is mounted no higher than 17" from finished floor



### CODES/STANDARDS APPLICABLE

Specified model meets or exceeds the following:

- ADA when rim is mounted no higher than 17" from finished floor
- ASME/ANSI A112.19.2M
- ASME/ANSI A112.19.6M
- CABO/ANSI A117.1
- Energy Policy Act of 1992 (EPACT)
- IAPMO/UPC

### COLORS/FINISHES

- 0 White
- Other Refer to Fixtures Price Book for additional colors

### SPECIFIED MODEL:

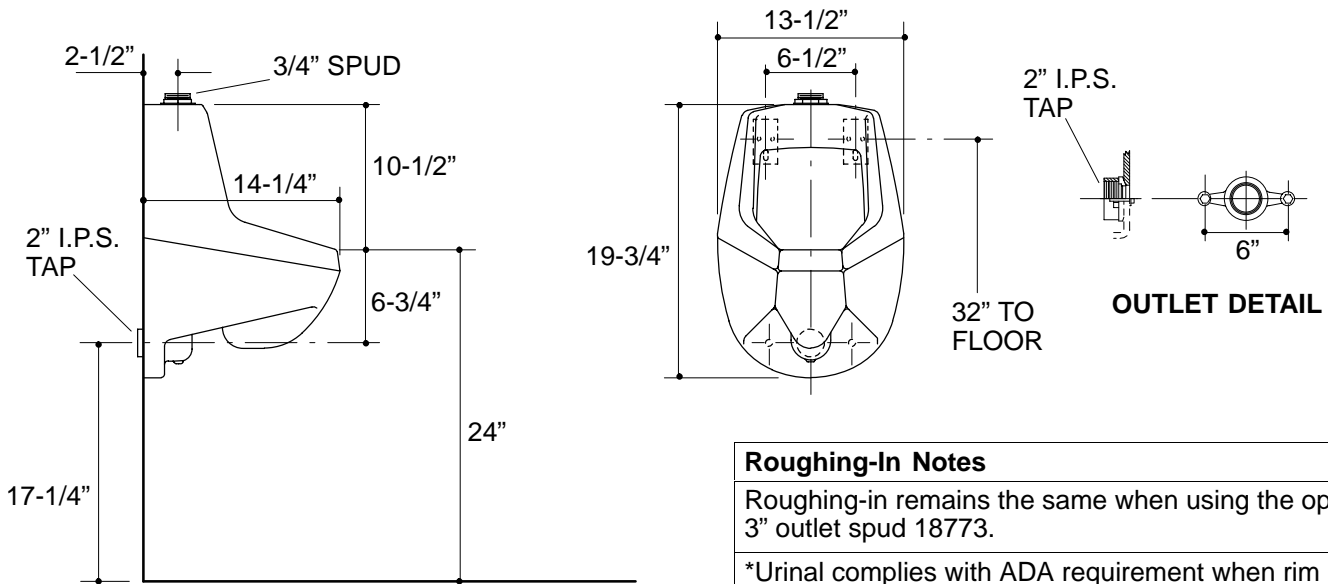
Model	Description	Colors/Finishes	
K-5016-T	3/4" top spud urinal	<input type="checkbox"/> 0 White	<input type="checkbox"/> Other _____

### PRODUCT SPECIFICATION:

The siphon jet urinal shall be made of vitreous china with a 3/4" top spud. Urinal shall be 1.0 gallon flush. Urinal shall be ADA compliant when rim is mounted no higher than 17" from finished floor. Urinal shall be Kohler Model K-5016-T-\_\_\_\_\_.

## PRODUCT INFORMATION

ADA compliant.	
Fixture:	
Configuration	Top spud
Spud inlet size	3/4"
Gallons per flush	1 gallon*
*Designed to flush with one gallon of water when installed with a water saving flush valve.	
Included Components	
3/4" inlet spud	18376
2" outlet spud	18766
Hanger (2 required)	64512
Flush valve requirements: Refer to manufacturer's instructions and local codes.	



### Roughing-In Notes

Roughing-in remains the same when using the optional 3" outlet spud 18773.

\*Urinal complies with ADA requirement when rim is mounted no higher than 17" from finished floor.

1.25>116

## PRODUCT DIAGRAM