

Ordering Information

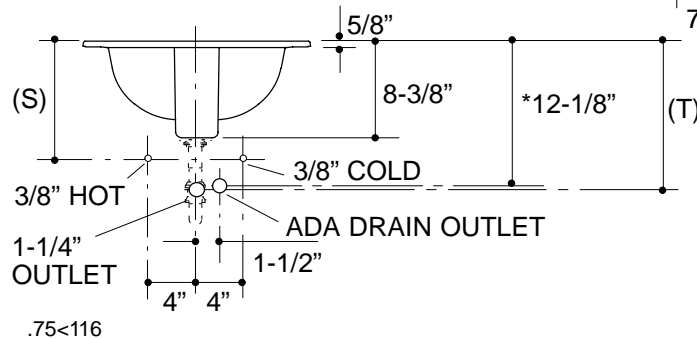
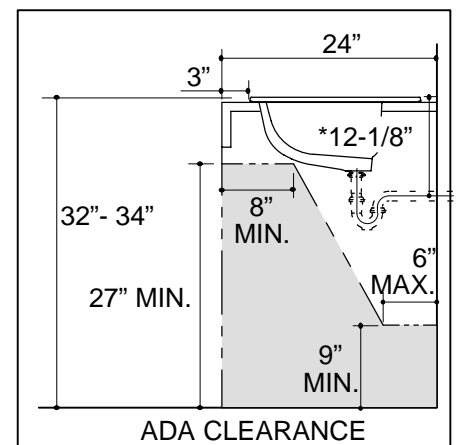
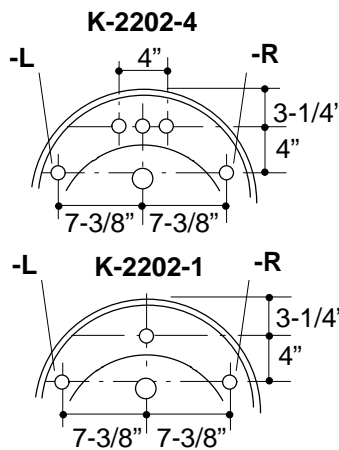
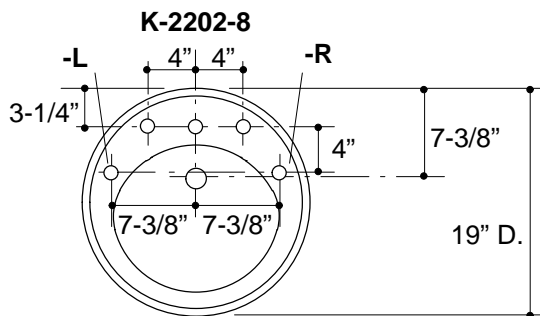
Applicable product:		
8" centers lavatory	K-2202-8	shown
soap dispenser on left	K-2202-8-L	
soap dispenser on right	K-2204-8-R	
4" centers lavatory	K-2202-4	not shown
soap dispenser on left	K-2202-4-L	
soap dispenser on right	K-2202-4-R	
Single-hole lavatory	K-2202-1	not shown
soap dispenser on left	K-2202-1-L	
soap dispenser on right	K-2202-1-R	
Accessories/hardware:		
Trap	K-8998	recommended

Product Information

ADA compliant.			
Fixture*:		basin area	water depth
Lavatory		14" x 12"	4"
Outlet	1-3/4" D.		
* Approximate measurements for comparison only.			
Holes	K-2202-8	K-2202-4	K-2202-1
Spout	1-3/16" D.	1-3/16" D.	1-3/8" D.
Faucet	1-3/8" D.	1-3/16" D.	
Soap dispenser			1-1/4" D.
Included Components:			
Adhesive sealant			63034
Cutout template			114030-7

Installation Notes

Refer to installation instructions included with fixture before beginning installation.



Roughing-In Notes

Fixture dimensions are nominal and conform to tolerances in ASME Standard A112.19.2M.

*Based on K-8998, with 1" tailpiece exposed.

(T) Pop-up drain 14", grid drain 13-1/8".

Supply (Based on 12" riser which may require cutting).	K-2202-4 K-2202-1	K-2202-8
(S)	10"	14"