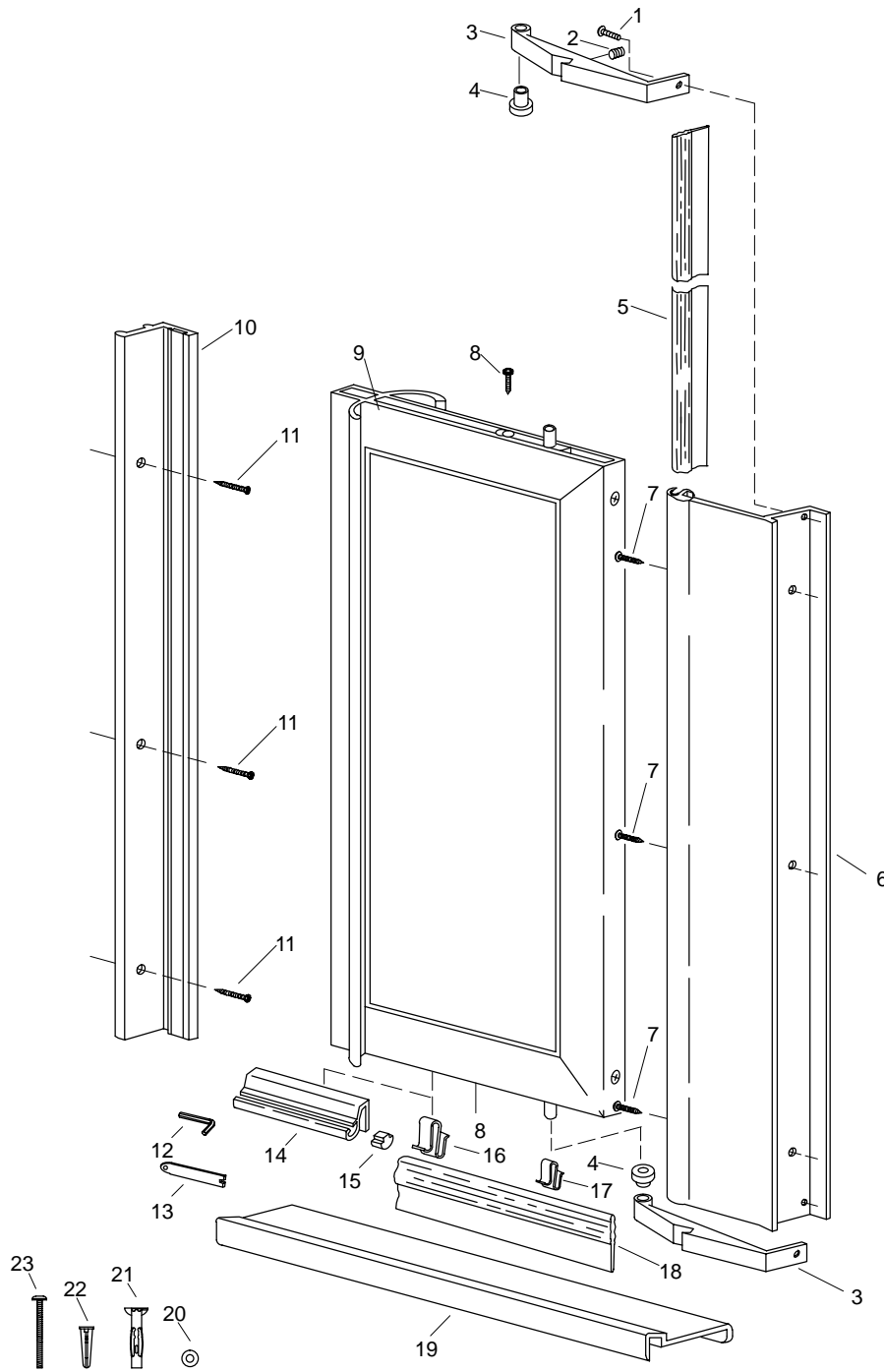


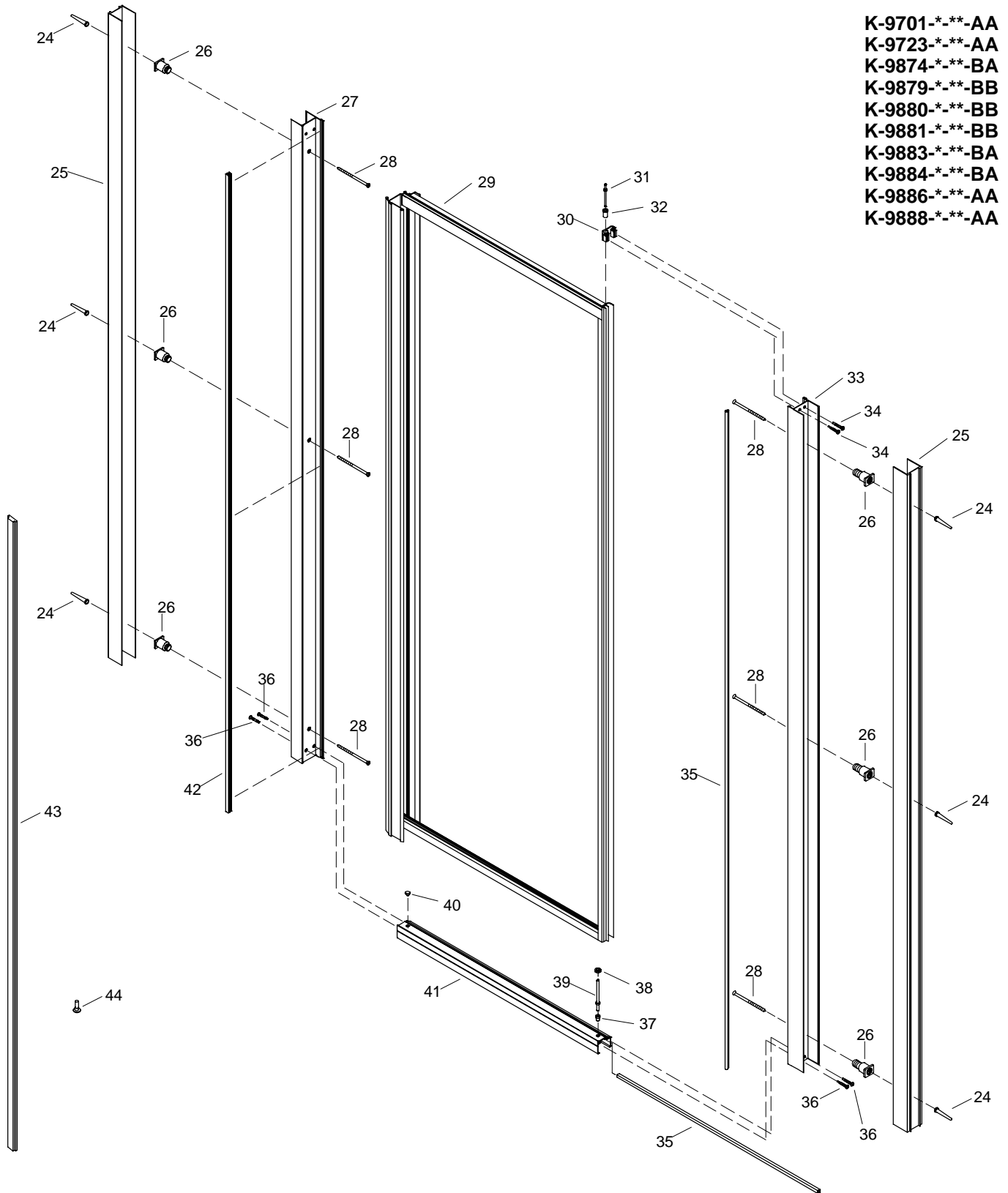
K#	Obscure Glass	Designer Glass	Clear Glass	Accent Strip	Dimension
K-9701-B-**-AA	X				40" x 70"
K-9701-D-**-AA		X			40" x 70"
K-9701-L-**-AA			X		40" x 70"
K-9723-B-**-AA	X				29-1/4" to 30-3/4" x 70"
K-9723-D-**-AA		X			29-1/4" to 30-3/4" x 70"
K-9723-L-**-AA			X		29-1/4" to 30-3/4" x 70"
K-9874-B-**-AA/AB/BA	X				35" to 37" x 64"
K-9874-D-**-AA/AB/BA		X			35" to 37" x 64"
K-9874-L-**-BA			X		35" to 37" x 64"
K-9879-B-**-AA/AB/BB	X				31" to 33" x 64"
K-9879-D-**-AA/AB/BB		X			31" to 33" x 64"
K-9879-L-**-BB			X		31" to 33" x 64"
K-9880-B-**-AA/AB/BB	X				27" to 29" x 64"
K-9880-D-**-AA/AB/BB		X			27" to 29" x 64"
K-9880-L-**-BB			X		27" to 29" x 64"
K-9881-B-**-AA/AB/BB	X				29" to 31" x 64"
K-9881-D-**-AA/AB/BB		X			29" to 31" x 64"
K-9881-L-**-BB			X		29" to 31" x 64"
K-9883-B-**-AA/AB/BA	X				33" to 35" x 64"
K-9883-D-**-AA/AB/BA		X			33" to 35" x 64"
K-9883-L-**-BA			X		33" to 35" x 64"
K-9884-B-**-AA/AB/BA	X				25" to 27" x 64"
K-9884-D-**-AA/AB/BA		X			25" to 27" x 64"
K-9884-L-**-BA			X		25" to 27" x 64"
K-9886-B-**-AA	X				29" to 31" x 70"
K-9886-D-**-AA		X			29" to 31" x 70"
K-9886-L-**-AA			X		29" to 31" x 70"
K-9888-B-**-AA	X				31" to 33" x 70"
K-9888-D-**-AA		X			31" to 33" x 70"
K-9888-L-**-AA			X		31" to 33" x 70"
K-9794-**-AA				X	

\*\*Finish/color code must be specified when ordering.

K-9874\*-\*\*-AA/AB  
K-9879\*-\*\*-AA/AB  
K-9880\*-\*\*-AA/AB  
K-9881\*-\*\*-AA/AB  
K-9883\*-\*\*-AA/AB  
K-9884\*-\*\*-AA/AB



\*\*Finish/color code must be specified when ordering.



- K-9701-\*-\*\*-AA
- K-9723-\*-\*\*-AA
- K-9874-\*-\*\*-BA
- K-9879-\*-\*\*-BB
- K-9880-\*-\*\*-BB
- K-9881-\*-\*\*-BB
- K-9883-\*-\*\*-BA
- K-9884-\*-\*\*-BA
- K-9886-\*-\*\*-AA
- K-9888-\*-\*\*-AA

**\*\*Finish/color code must be specified when ordering.**

### SERVICE PARTS

ITEM	PART NO.	DESCRIPTION
1	62726**	Screw
2	62727	Set Screw
3	62733**	Pivot Plate
4	62694	Pivot Bushing
5	62695	Wiper Seal
6	90070**	Pivot Jamb
7	62723**	Screw
8	62696	Set Screw
9	90117-B**	Panel (9874-B)
	90117-D**	Panel (9874-D)
	90115-B**	Panel (9879-B)
	90115-D**	Panel (9879-D)
	90113-B**	Panel (9880-B)
	90113-D**	Panel (9880-D)
	90114-B**	Panel (9881-B)
	90114-D**	Panel (9881-D)
	90116-B**	Panel (9883-B)
	90116-D**	Panel (9883-D)
	90112-B**	Panel (9884-B)
	90112-D**	Panel (9884-D)
10	90069**	Jamb
11	62722**	Screw
12	62728	Wrench
13	62346	Wrench
14	90068-F**	Rail (9874-B, 9874-D)
	90068-D**	Rail (9879-B, 9879-D)
	90068-B**	Rail (9880-B, 9880-D, 9884-D)
	90068-C**	Rail (9881-B, 9881-D)
	90068-E**	Rail (9883-B, 9883-D)
	90068-A**	Rail (9884-B)
15	62344	Plug
16	90072	Clip
17	62689	Wiper Clip
18	92003	Wiper
19	90071**	Curb
20	62225	Washer
21	62224	Anchor
22	66646	Plug
23	62223	Screw
24	93069	Anchor
25	91093-C**	Jamb (9701, 9723)
	91093-A**	Jamb (9874, 9879, 9880, 9881, 9883, 9884)
	91093-B**	Jamb (9886, 9888)
26	68767	Block & Screw
27	91099-D**	Jamb (9701, 9723)
	91099-A**	Jamb (9874, 9879, 9880, 9881, 9883, 9884)
	91099-B**	Jamb (9886, 9888)
28	92364-D**	Screw
29	94746-B**	Panel (9701-B)
	94746-D**	Panel (9701-D)
	94746-L**	Panel (9701-L)
	93783-B**	Panel (9723-B)
	93784-D**	Panel (9723-D)
	93782-L**	Panel (9723-L)
	92578-B**	Panel (9874-B)
	92579-D**	Panel (9874-D)
	93012-L**	Panel (9874-L)
	92574-B**	Panel (9879-B)
	92575-D**	Panel (9879-D)
	93013-L**	Panel (9879-L)
	92570-B**	Panel (9880-B)
	92571-D**	Panel (9880-D)
	93014-L**	Panel (9880-L)
	92572-B**	Panel (9881-B)
	92573-D**	Panel (9881-D)
	93015-L**	Panel (9881-L)
	92576-B**	Panel (9883-B)
	92577-D**	Panel (9883-D)
	93016-L**	Panel (9883-L)

### SERVICE PARTS

ITEM	PART NO.	DESCRIPTION
	92568-B**	Panel (9884-B)
	92569-D**	Panel (9884-D)
	93017-L**	Panel (9884-L)
	92580-B**	Panel (9886-B)
	92581-D**	Panel (9886-D)
	93018-L**	Panel (9886-L)
	92582-B**	Panel (9888-B)
	92583-D**	Panel (9888-D)
	93019-L**	Panel (9888-L)
30	92592**	Block
31	92595	Pin
32	92594	Bushing
33	91097-D**	Jamb (9701, 9723)
	91097-A**	Jamb (9874, 9879, 9880, 9881, 9883, 9884)
	91097-B**	Jamb (9886, 9888)
34	91225-B	Screw
35	92369	Seal
36	92363-A**	Screw
37	91220	Bushing
38	91228	Washer
39	91219	Pin
40	92525	Plug
41	91095-J**	Bridge Member (9701)
	91095-G**	Bridge Member (9723)
	91095-F**	Bridge Member (9874)
	91095-D**	Bridge Member (9879, 9888)
	91095-B**	Bridge Member (9880)
	91095-C**	Bridge Member (9881, 9886)
	91095-E**	Bridge Member (9883)
	91095-A**	Bridge Member (9884)
42	92372-E	Magnet (9701, 9723)
	92372-A	Magnet (9874, 9879, 9880, 9881, 9883, 9884)
	92372-B	Magnet (9886, 9888)
43	62659**	Color Strip
44	93792	Key

\*\*Finish/color code must be specified when ordering.

### SERVICE KITS

PART NO.	ITEM	QTY.	DESCRIPTION
92510-D-**	33	1 ea.	Jamb/Seal Assembly (9701, 9723)
	35	1 ea.	Jamb
92510-A-**	35	1 ea.	Seal
			Jamb/Seal Assembly (9874, 9879, 9880, 9881, 9883, 9884))
92510-B-**	33	1 ea.	Jamb
	35	1 ea.	Seal
92510-B-**	33	1 ea.	Jamb/Seal Assembly (9886, 9888)
	35	1 ea.	Jamb
92513-J-**	35	1 ea.	Seal
	41	1 ea.	Bridge Member
92513-G-**	35	1 ea.	Seal
	41	1 ea.	Bridge Member
92513-F-**	35	1 ea.	Seal
	41	1 ea.	Bridge Member
92513-D-**	35	1 ea.	Seal
	41	1 ea.	Bridge Member
92513-B-**	35	1 ea.	Seal
	41	1 ea.	Bridge Member
92513-C-**	35	1 ea.	Seal
	41	1 ea.	Bridge Member
92513-E-**	35	1 ea.	Seal
	41	1 ea.	Bridge Member
92513-A-**	35	1 ea.	Seal
	41	1 ea.	Bridge Member
92511-E-**	27	1 ea.	Jamb
	42	1 ea.	Magnet
92511-A-**	27	1 ea.	Jamb
	42	1 ea.	Magnet
92511-B-**	27	1 ea.	Jamb
	42	1 ea.	Magnet

\*\*Finish/color code must be specified when ordering.

**\*\*Finish/color code must be specified when ordering.**

**\*\*Finish/color code must be specified when ordering.**

**\*\*Finish/color code must be specified when ordering.**