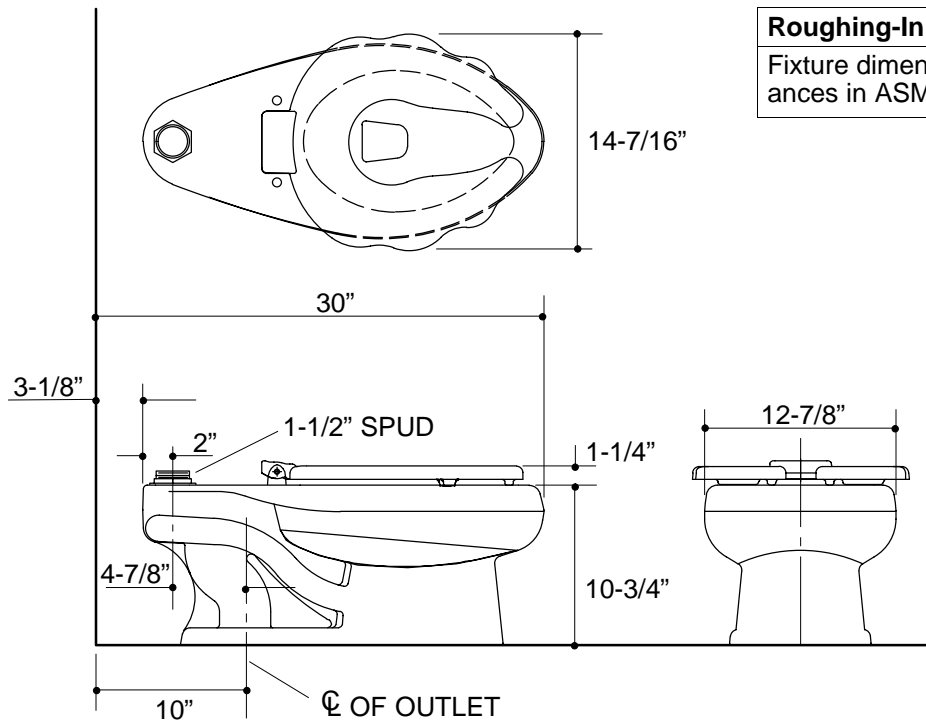


Ordering Information

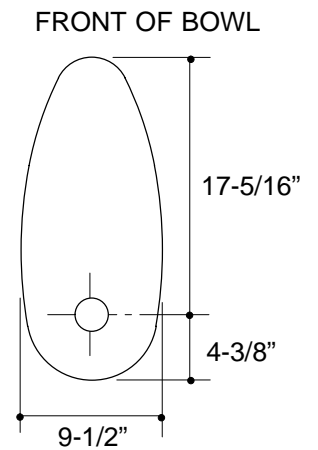
Accessories/hardware:		
Floor bolts (pr.)	21401	recommended

Product Information

Fixture:	
Configuration	Top spud elongated
Gallons per flush	1.6 gallons*
Spud size	1-1/2"
Passageway	2-1/8"
Water depth from rim	4-1/4"
Seat post hole centers	5-1/2"
* Designed to flush with 1.6 gallons of water when installed with a 1.6 gpf flush valve.	
Included Components:	
Spud	18357
Seat	K-4686-A
Bolt cap accessory pack	52048
Flush valve requirements: Refer to manufacturer and local codes.	



Roughing-In Notes
Fixture dimensions are nominal and conform to tolerances in ASME Standard A112.19.2M.



1.25>116