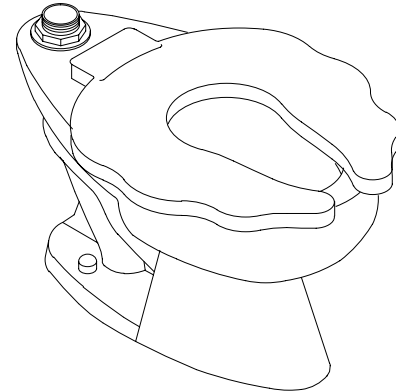


FEATURES

- 10" rough-in
- 1-1/2" top spud
- Vitreous china
- Elongated bowl
- 1.6 gpf
- Includes K-4686 toilet seat with scalloped handhold locations for children
- Available with white, primary yellow, primary red, or primary blue colored seats



CODES/STANDARDS APPLICABLE

Specified model meets or exceeds the following:

- ADA-Children's Environment
- ASME/ANSI A112.19.2M
- ASME/ANSI A112.19.6M
- CABO/ANSI A117.1
- IAPMO/UPC
- Energy Policy Act of 1992 (EPACT)
- Canadian Standards Association (CSA)
- States of Massachusetts, New York, & Texas
- City of Los Angeles, CA

COLORS/FINISHES

- 0 White toilet with white seat
- R White toilet with red seat
- B White toilet with blue seat
- Y White toilet with yellow seat

SPECIFIED MODEL:

| Model | Description | Colors/Finishes | |
|--------|-----------------------|----------------------------------|-------------------------------------|
| K-4321 | Elongated bowl toilet | <input type="checkbox"/> 0 White | <input type="checkbox"/> Other_____ |

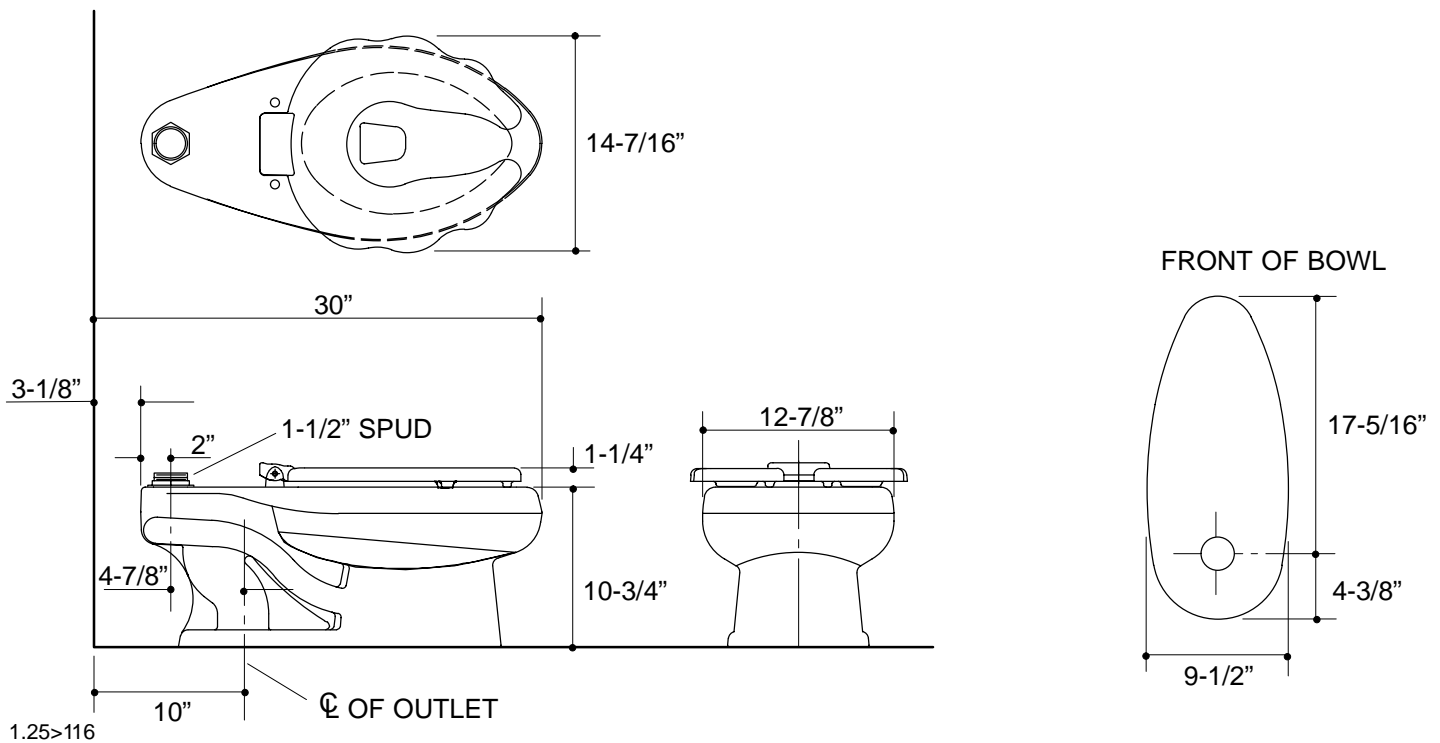
PRODUCT SPECIFICATION:

The elongated bowl shall be 10" rough-in with 1-1/2" top spud. Bowl shall be made of vitreous china. Bowl shall be 1.6 gpf. Bowl shall include K-4686 toilet seat with scalloped handhold locations for children. Bowl shall have a choice of white, primary yellow, primary red or primary blue colored seat. Bowl shall be Kohler Model K-4321-_____.

PRIMARY™

PRODUCT INFORMATION

| | |
|--|--------------------|
| Fixture: | |
| Configuration | Top spud elongated |
| Gallons per flush | 1.6 gallons* |
| Spud size | 1-1/2" |
| Passageway | 2-1/8" |
| Water depth from rim | 4-1/4" |
| Seat post hole centers | 5-1/2" |
| * Designed to flush with 1.6 gallons of water when installed with a 1.6 gpf flush valve. | |
| Included Components: | |
| Spud | 18357 |
| Seat | K-4686-A |
| Bolt cap accessory pack | 52048 |
| Flush valve requirements: Refer to manufacturer and local codes. | |



PRODUCT DIAGRAM