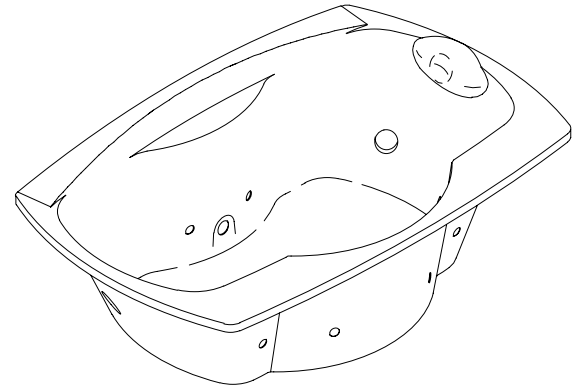


# K-1312-H1, K-1312-N

## FEATURES

- 68" x 42" x 21"
- Acrylic
- System III - 2 hp variable flow pump with integral heater, electronic switch, and pulsating neckjets with pillow
- 8 Flexjets
- UL Listed
- LESS ALL TRIM
- Sized to fit a 6' alcove or deck
- Pump is supplied with a grounding-type plug in cord



## CODES/STANDARDS APPLICABLE

Specified model meets or exceeds the following:

- ANSI Z124.1
- ASME/ANSI A112.19.7M
- IAPMO/UPC
- Underwriters Laboratories (UL)
- State of Massachusetts

## COLORS/FINISHES

- 0 White

### Accessories:

- CP Polished Chrome
- PB Polished Brass
- Other Refer to Faucets Price Book for additional finishes

## SPECIFIED MODEL:

Model	Description	Colors/Finishes
K-1312-H1	Bath whirlpool less neckjets and pillow	<input type="checkbox"/> 0 White
K-1312-N	Bath whirlpool with neckjets and pillow	<input type="checkbox"/> 0 White

Required Accessories				
K-9698	Jet trim kit	<input type="checkbox"/> CP	<input type="checkbox"/> PB	<input type="checkbox"/> Other_____
Recommended Accessories				
K-7161-AF	Drain	<input type="checkbox"/> CP	<input type="checkbox"/> PB	<input type="checkbox"/> Other_____
Optional Accessories				
K-1311	Apron (removable)	<input type="checkbox"/> 0 White		
K-15003	Trocadero bath-mount sheetflow bath faucet	<input type="checkbox"/> CP		

## PRODUCT SPECIFICATION:

The bath whirlpool shall be 68" in length, 42" in width, and 21" in height. Bath whirlpool shall be made of acrylic. Bath whirlpool shall have System III, with 8 Flexjets, 2 hp variable flow pump with integral heater, electronic switch, and pulsating neckjets with pillow. Bath whirlpool shall be UL Listed. Bath whirlpool shall be less all trim. Bath whirlpool shall be sized to fit a 6' alcove or deck. bath whirlpool pump shall be supplied with a grounding-type plug-in cord. Bath whirlpool shall be Kohler Model K-1312-\_\_\_\_\_ -\_\_\_\_\_.

# TROCADERO™

## REQUIRED ELECTRICAL SERVICE

Dedicated circuit required, protected with Class A Ground-Fault Circuit-Interrupter (GFCI):

Pump/control	120 V, 20 A, 60 Hz
--------------	--------------------

## PRODUCT INFORMATION

Fixture*:	basin area	top area	weight
Bathing well	47" x 26"	64" x 31"	140 lbs.
	water depth	capacity	
To overflow	15-1/2"	91 gals.	

\* Approximate measurements for comparison only.

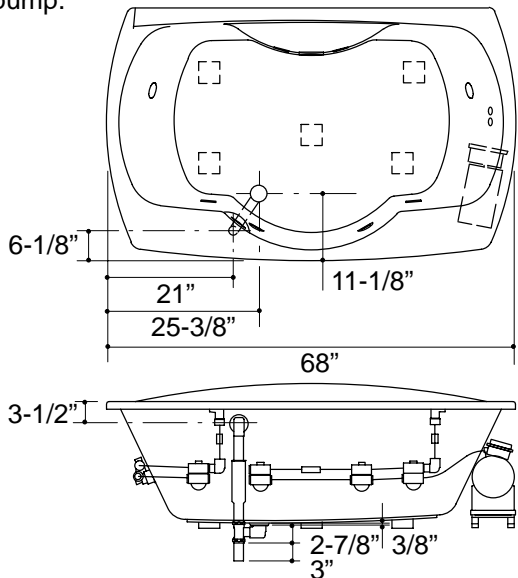
Pump:	HP	V	Hz	A
1-speed	2	120	60	18.5

## INSTALLATION NOTES

The K-1311 apron, if used, must be installed BEFORE finished flooring is laid.

If installing a rim-mount faucet, make sure there is no interference with drain overflow and circulating system before drilling any holes. Consult local and national codes for minimum air gap requirements if installing a spout on the faucet deck.

Each pump is supplied with a grounding type plug-in cord. Locate the outlet behind the whirlpool, and within 24" of the pump.



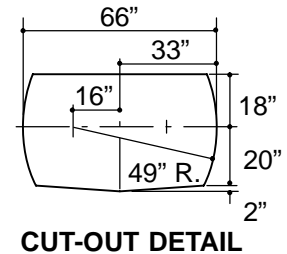
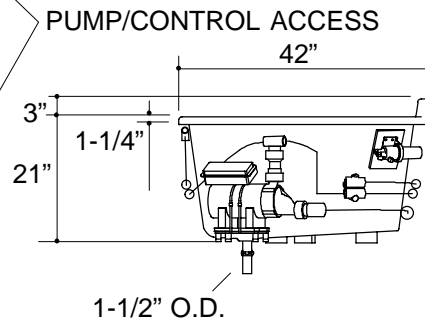
1.25>132

### Roughing-In Notes

No change in measurements if connected with drain illustrated.

Minimum access:

Pump/control box	40" W x 15" H panel	required
------------------	---------------------	----------



## PRODUCT DIAGRAM