

Ordering Information

Applicable product:		
With neck jets	K-1312-N	shown
Without neck jets	K-1312-H1	not shown
Accessories/hardware:		
Jet trim kit	K-9698	required
Drain	K-7161-AF	recommended
Apron	K-1311	optional

Required Electrical Service

Dedicated circuit required, protected with Class A Ground-Fault Circuit-Interrupter (GFCI):	
Pump/control	120 V., 20 A, 60 Hz

Product Information

Fixture*:	basin area	top area	weight	
Bathing well	1194 x 660mm	1626 x 787mm	63 Kg.	
	water depth	capacity		
To overflow	394mm	344 litres		
* Approximate measurements for comparison only.				
Pump:	HP	V	Hz	A
60 Hz	2	120	60	18.5

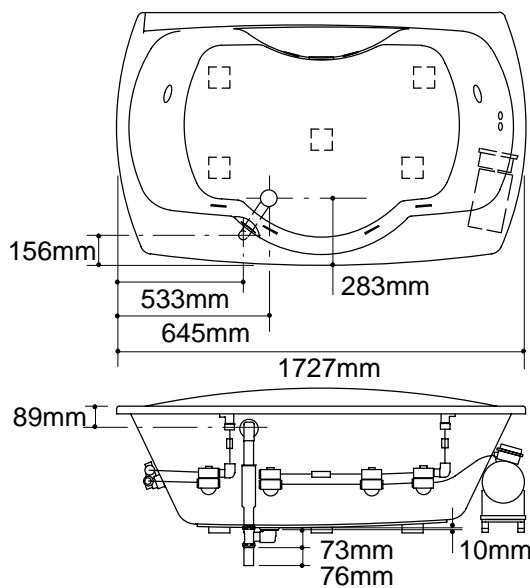
Installation Notes

Refer to installation instructions included with fixture before beginning installation.

The K-1311 apron, if used, must be installed BEFORE finished flooring is laid.

If installing a rim-mount faucet, make sure there is no interference with drain overflow and circulating system before drilling any holes. Consult local and national codes for minimum air gap requirements if installing a spout on the faucet deck.

Pump is supplied with a grounding type plug-in cord. Locate the outlet behind the whirlpool, and within 610mm of the pump.



1.25>132

Roughing-In Notes

Fixture dimensions are nominal and conform to tolerances in ANSI Standard Z124.1.

No change in measurements if connected with drain illustrated.

Minimum access panel:

Pump/control	1016mm W x 381mm H panel	required
--------------	--------------------------	----------

