

Ordering Information

Accessories/hardware:		
Profile receptor	K-9866	optional
Captiva™ receptor	K-9536	optional

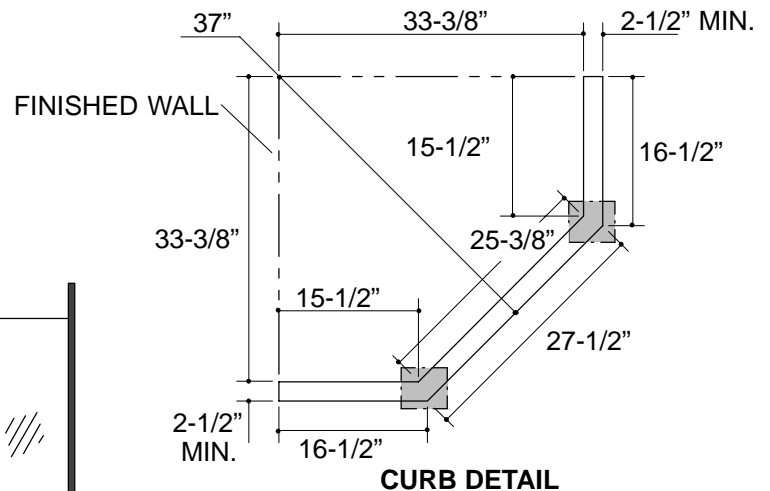
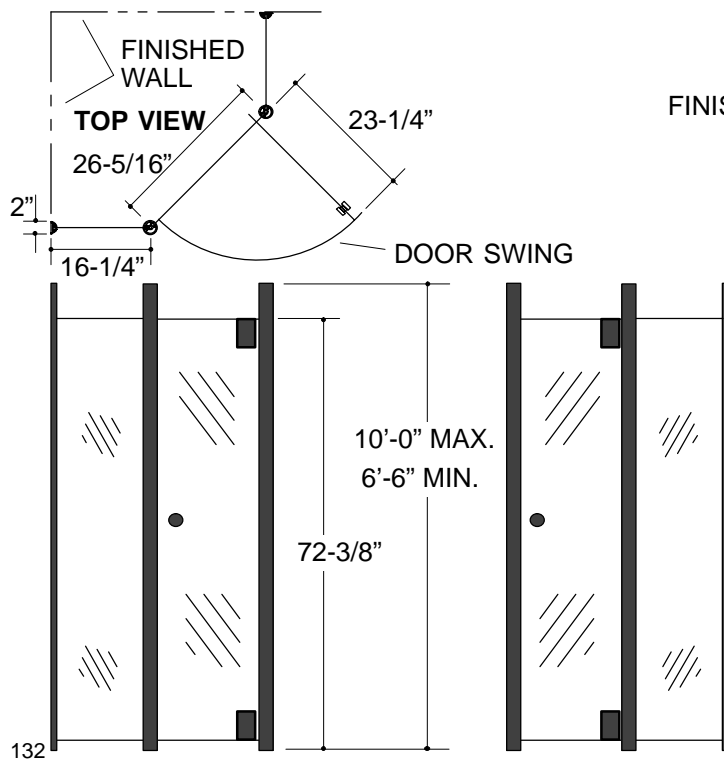
Product Information

Fixture:	
Weight	108 lbs.
Glass, tempered safety	clear
Included Components:	
Shower door	K-9868-1
Filler panels	K-9868-2
Frames and hardware	K-9868-3

Installation Notes

Refer to installation instructions included with fixture before beginning installation.

Door can be for either left-hand or right-hand opening. Door shown below is for left-hand opening.



Roughing-In Notes	
Glass conforms to ANSI Z97.1.	
	Structural support required in the ceiling above these locations.
Leave studs exposed. Shower enclosure wall jambs must be installed directly to studs.	