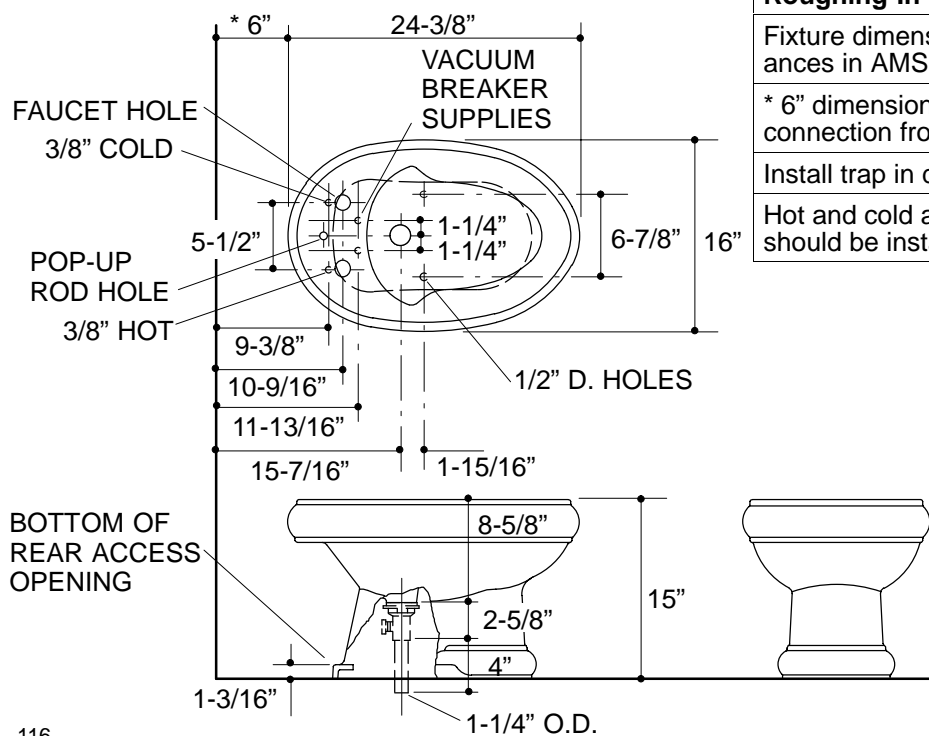


### Ordering Information

Accessories/hardware:		
Revival faucet	K-16137	recommended
Pillows faucet	K-7956-2	recommended
Taboret faucet	K-8244	recommended

### Product Information

Fixture:	
Configuration	Faucet deck
Outlet	1-3/4" D.
Spray hole	3/8" D.
Faucet hole	1-7/16" D.
Pop-up rod hole	5/8" D.
Included Components:	
Floor screws and bolt caps	52049



### Roughing-In Notes

Fixture dimensions are nominal and conform to tolerances in AMSE Standard A112.19.2M.

\* 6" dimension required to allow for drain and supply connection from rear of bidet.

Install trap in drain line below floor.

Hot and cold and vacuum breaker supply locations should be installed from floor.

### FRONT OF BIDET

