

**Ordering Information**

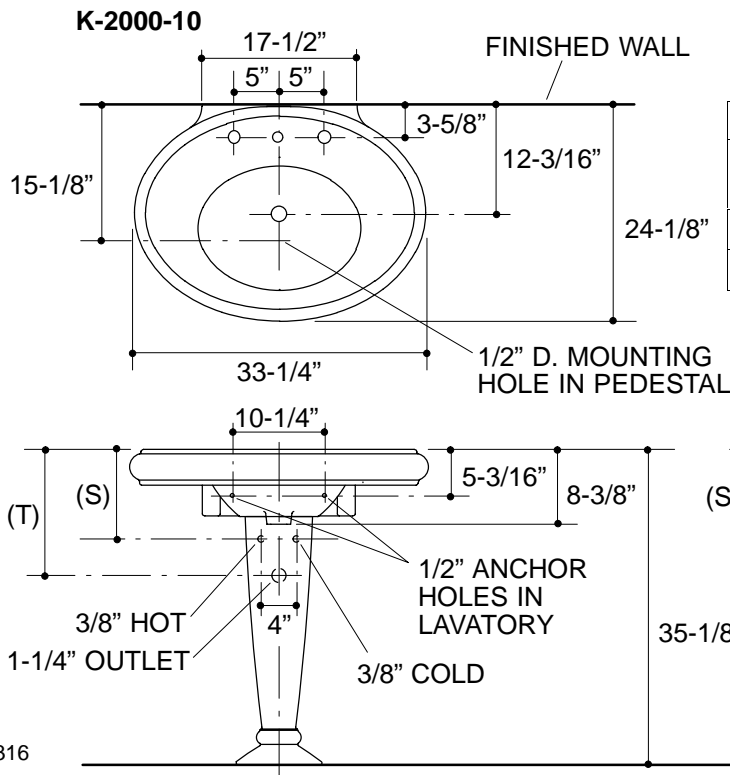
Applicable product		
10" centers lavatory	K-2000-10	shown
Single-hole lavatory	K-2000-1	not shown
Accessories/hardware:		
Supplies 3/8" (pair)	K-7605-P	recommended
Trap	K-9018	recommended
Skirt	K-9624	optional

**Product Information**

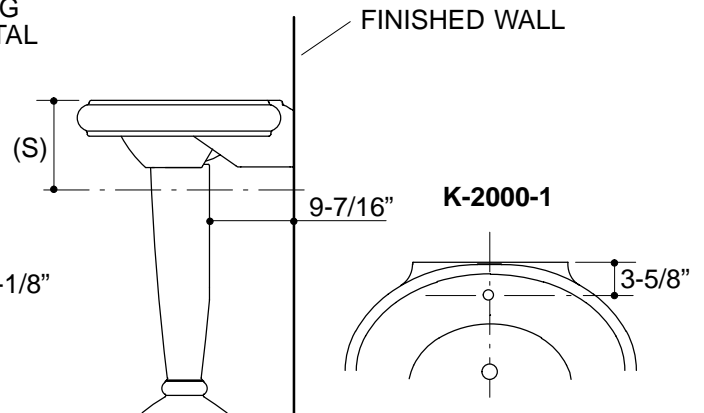
Fixture*:		basin area	water depth
Lavatory		18" x 14"	6-1/2"
Outlet	1-3/4" D.		
* Approximate measurements for comparison only.			

Holes	<b>K-2000-10</b>	<b>K-2000-1</b>	
Spout	1-3/16" D.	1-3/8" D.	
Faucet	1-7/16" D.		

Included Components:	
Lavatory basin, 10" centers	K-2001-10
Lavatory basin, single-hole	K-2001-1
Pedestal	K-2003
Rubber pads	63069
Lavatory accessory pack	84017



<b>Roughing-In Notes</b>
Fixture dimensions are nominal and conform to tolerances in ASME Standard A112.19.2M.
(T) Pop-up drain 14".
(S) 10" (Based on 12" riser which may require cutting).



316