

Ordering Information

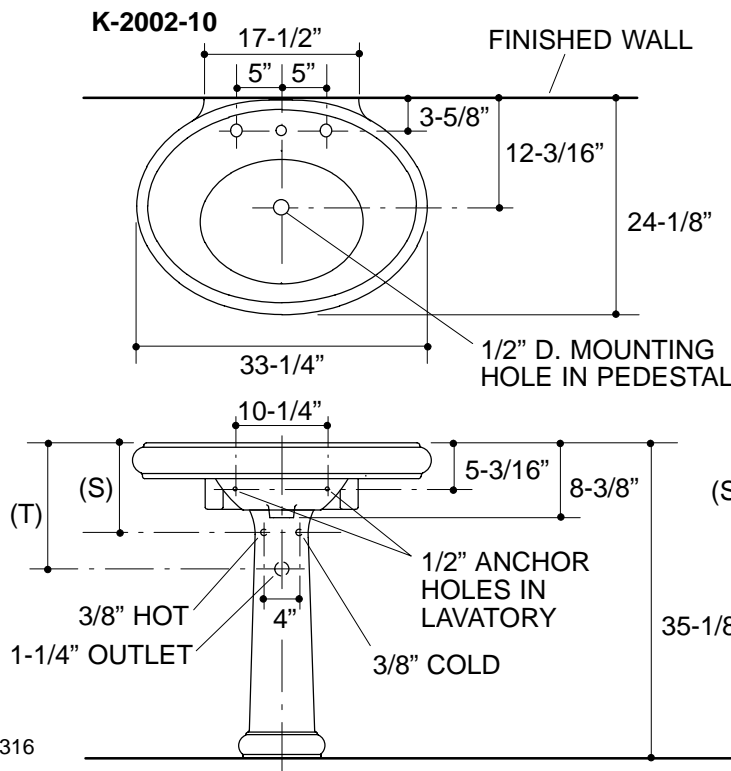
| | | |
|-----------------------|-----------|-------------|
| Applicable product | | |
| 10" centers lavatory | K-2002-10 | shown |
| Single-hole lavatory | K-2002-1 | not shown |
| Accessories/hardware: | | |
| Supplies 3/8" (pair) | K-7605-P | recommended |
| Trap | K-9018 | recommended |
| Skirt | K-9624 | optional |

Product Information

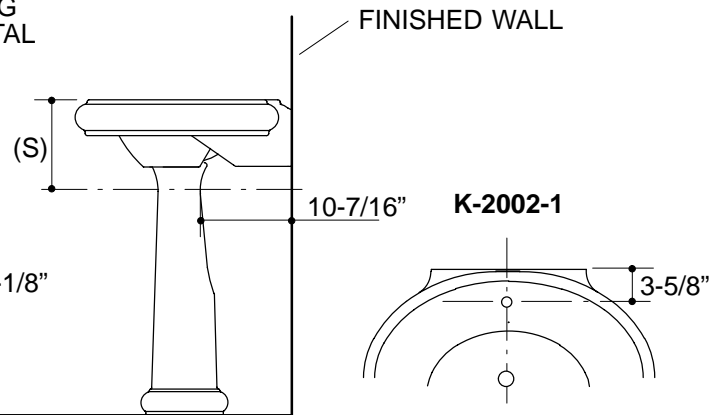
| | | | |
|---|-----------|------------|-------------|
| Fixture*: | | basin area | water depth |
| Lavatory | | 18" x 14" | 6-1/2" |
| Outlet | 1-3/4" D. | | |
| * Approximate measurements for comparison only. | | | |

| | | | |
|--------|------------------|-----------------|--|
| Holes | K-2002-10 | K-2002-1 | |
| Spout | 1-3/16" D. | 1-3/8" D. | |
| Faucet | 1-7/16" D. | | |

| | |
|-----------------------------|-----------|
| Included Components: | |
| Lavatory basin, 10" centers | K-2001-10 |
| Lavatory basin, single-hole | K-2001-1 |
| Pedestal | K-2004 |
| Rubber pads | 63069 |
| Lavatory accessory pack | 84017 |



| |
|---|
| Roughing-In Notes |
| Fixture dimensions are nominal and conform to tolerances in ASME Standard A112.19.2M. |
| (T) Pop-up drain 14". |
| (S) 10" (Based on 12" riser which may require cutting). |



316