

FEATURES

- 12" rough-in
- Vitreous china
- Elongated bowl
- Eco Lite system
- Includes a manual dual-flush trip lever to select either 1.1 gallon or 1.6 gallon flush
- Combination toilet
- Less seat and supply
- With Insuliner® insulated tank lining (-U)

CODES/STANDARDS APPLICABLE

Specified model meets or exceeds the following:

- ASME/ANSI A112.19.2M
- ASME/ANSI A112.19.6M
- Energy Policy Act of 1992 (EPACT)



COLORS/FINISHES

- 0 White
- Other Refer to Fixtures Price Book for additional colors

Accessories:

- 0 White
- CP Polished Chrome
- PB Polished Brass
- Other Refer to Price Book for additional colors

SPECIFIED MODEL:

Model	Description	Colors/Finishes	
K-3471-K	Elongated bowl toilet	<input type="checkbox"/> 0 White	<input type="checkbox"/> Other_____
K-3471-KU	Toilet with insuliner tank	<input type="checkbox"/> 0 White	<input type="checkbox"/> Other_____

Recommended Accessories			
K-4652	Lustra™ seat with cover	<input type="checkbox"/> 0 White	<input type="checkbox"/> Other_____
K-4652-A	Lustra™ seat with cover (includes anti-microbial agent)	<input type="checkbox"/> 0 White	
K-4653	French Curve™ seat with cover	<input type="checkbox"/> 0 White	<input type="checkbox"/> Other_____
K-7637	Angle supply with stop	<input type="checkbox"/> CP	<input type="checkbox"/> PB <input type="checkbox"/> Other_____
Optional Accessories			
K-9431	Dual-flush trip lever (non-CP)	<input type="checkbox"/> PB	

PRODUCT SPECIFICATION:

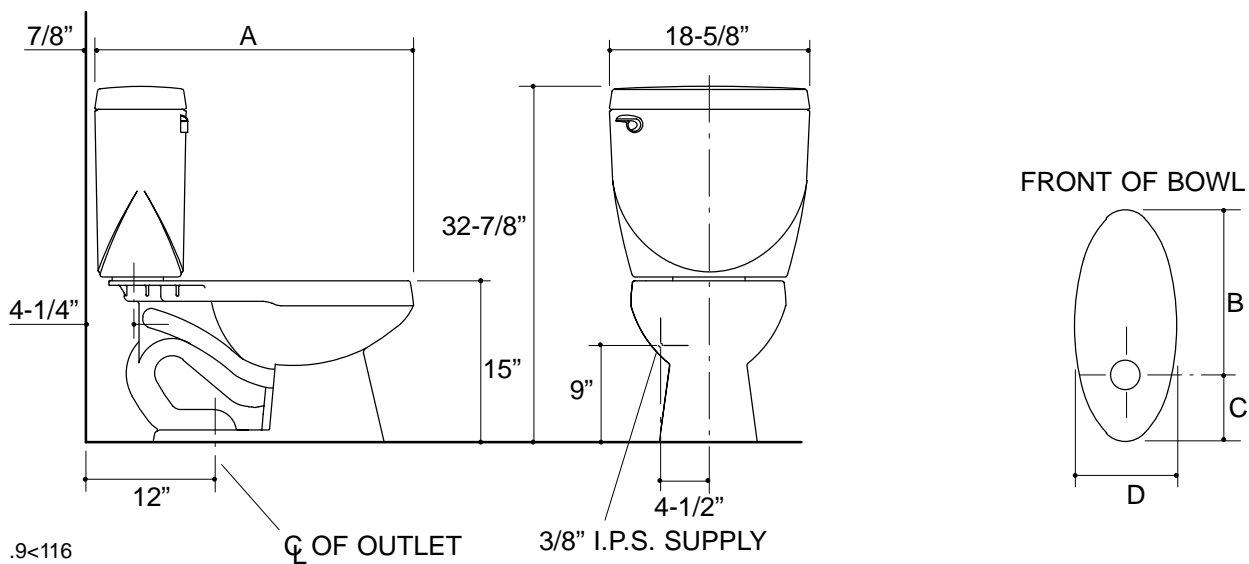
The elongated toilet combination shall be 12" rough-in with Kohler Eco Lite system. Toilet shall be made of vitreous china. Toilet shall include a manual dual-flush trip lever to select either 1.1 gallon or 1.6 gallon flush. Toilet shall be less seat and supply. Toilet shall have Insuliner® insulated tank lining (-U). Toilet shall be Kohler Model K-3471-_____-_____.

PRODUCT INFORMATION

Fixture:	
Gallons per flush	1.6 gallons
Passageway	1-3/4"
Water depth from rim	6-3/4"
Seat post hole centers	5-1/2"
Included Components:	
Bowl, K-3471-K and K-3471-KU	K-4236-AB
Tank	K-4591-K/KU
Tank cover	80576
Trip lever	84128
Bolt cap accessory pack	52048
Tank accessory pack	73062

Roughing-In Notes

	A	B	C	D
K-3471-K/KU	29-1/2"	15-5/8"	6-1/8"	9-1/2"



PRODUCT DIAGRAM