

### Ordering Information

Applicable product:		
With neck jets	K-865-N	shown
Without neck jets	K-865-H1	not shown
Accessories/hardware:		
Jet trim kit	K-9696	required
Drain	K-7169-AF	required
Undermount installation kit	K-582	optional
Vinyl tiling-in bead*	K-1179	optional
*Use K-1179 vinyl bead when wall material contacts any top surface of bath.		

### Required Electrical Service

Dedicated circuit required, protected with Class A Ground-Fault Circuit-Interrupter (GFCI):	
Pump/control	120 V., 20 A, 60 Hz

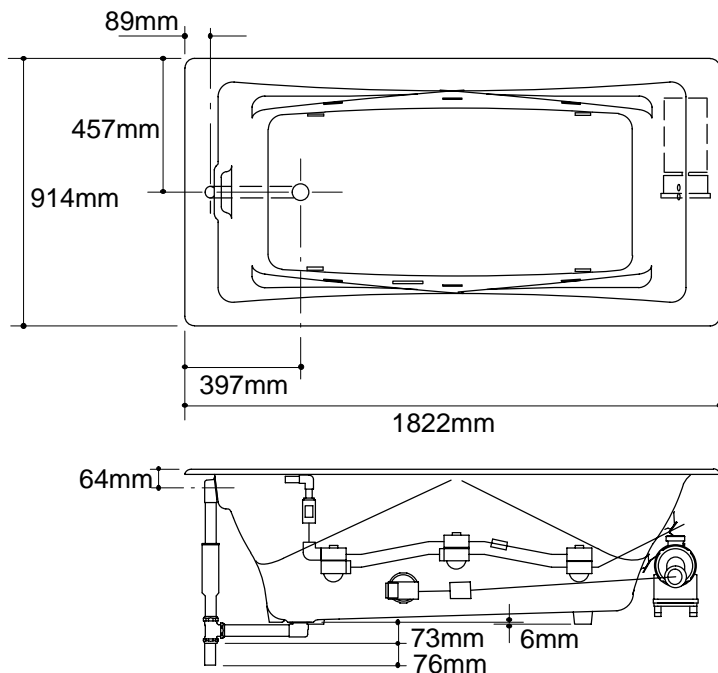
### Product Information

Fixture*:	basin area	top area	weight	
Bathing well	1245 x 559mm	1575 x 711mm	202 Kg.	
	water depth	capacity		
To overflow	432mm	337 litres		
* Approximate measurements for comparison only.				
Pump:	HP	V	Hz	A
1-speed	2	120	60	18.5

### Installation Notes

Refer to installation instructions included with fixture before beginning installation.

Pump is supplied with a grounding type plug-in cord. Locate the outlet behind the whirlpool, and within 610mm of the pump.



1.25>132

### Roughing-In Notes

Fixture dimensions are nominal and conform to tolerances in ANSI Standard A112.19.1M.

No change in measurements if connected with drain illustrated.

Cut-out for drop-in	1784 x 876mm
---------------------	--------------

Cut-out for undermount	K-582 template required
------------------------	-------------------------

Minimum access panel:

Pump/control	864mm W x 381mm H panel	required
--------------	-------------------------	----------

### PUMP/CONTROL ACCESS

