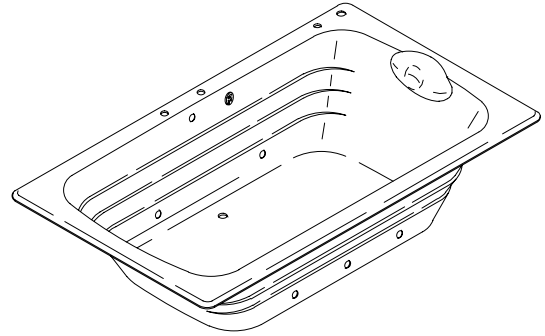


FEATURES

- 72" x 42" x 22"
- Cast iron with Safeguard® finish
- System III - 2 hp variable flow pump with integral heater, electronic switch, and pulsating neckjets with pillow
- 5 Flexjets
- UL Listed
- LESS ALL TRIM
- Predrilled for Seawall faucet with Personal shower system (K-870). Less drilled (K-872)
- With design terraces
- Pump is supplied with a grounding-type plug in cord

K-870-H1, K-870-N K-872-H1, K-872-N



CODES/STANDARDS APPLICABLE

Specified model meets or exceeds the following:

- ASME/ANSI A112.19.1M
- ASME/ANSI A112.19.7M
- IAPMO/UPC
- Underwriters Laboratories (UL)
- State of Massachusetts

COLORS/FINISHES

- 0 White
- Other Refer to Fixtures Price Book for additional colors

Accessories:

- CP Polished Chrome
- PB Polished Brass
- Other Refer to Faucets Price Book for additional finishes
- NA None Applicable

SPECIFIED MODEL:

Model	Description	Colors/Finishes	
K-870-H1 (pre-drilled)	Bath whirlpool less neckjets and pillow	<input type="checkbox"/> 0 White	<input type="checkbox"/> Other_____
K-870-N (pre-drilled)	Bath whirlpool with neckjets and pillow	<input type="checkbox"/> 0 White	<input type="checkbox"/> Other_____
K-872-H1 (less-drilled)	Bath whirlpool less neckjets and pillow	<input type="checkbox"/> 0 White	<input type="checkbox"/> Other_____
K-872-N (less-drilled)	Bath whirlpool with neckjets and pillow	<input type="checkbox"/> 0 White	<input type="checkbox"/> Other_____

Required Accessories			
K-9695	Jet trim kit	<input type="checkbox"/> CP	<input type="checkbox"/> PB <input type="checkbox"/> Other_____
K-7942-2	Pillows™ Seawall bath-mount faucet OR	<input type="checkbox"/> SC	<input type="checkbox"/> PB
K-7923-8	Cirrus™ Seawall bath-mount faucet OR	<input type="checkbox"/> CP	<input type="checkbox"/> PB
K-6504-2	Alterna™ Seawall bath-mount faucet OR	<input type="checkbox"/> CP	<input type="checkbox"/> PB
K-6435-4B	Neuville™ Seawall bath-mount faucet AND	<input type="checkbox"/> CP	<input type="checkbox"/> PB
K-17212	Neuville decorative inserts (required for K-6435-4B)	<input type="checkbox"/> CP	<input type="checkbox"/> PB <input type="checkbox"/> Other_____

Optional Accessories on Page 2

PRODUCT SPECIFICATION:

The bath whirlpool shall be 72" in length, 42" in width, and 22" in height. Bath whirlpool shall be made of cast iron with Safeguard finish. Bath whirlpool shall have System III, with 5 Flexjets, 2 hp variable flow pump with integral heater, electronic switch, and pulsating neckjets with pillow. Bath whirlpool shall be UL listed. Bath whirlpool shall be less all trim. Bath whirlpool shall be predrilled for Seawall faucet with Personal shower system (K-870) or less drilling (K-872). Bath whirlpool shall have design terraces. Bath whirlpool pump shall be supplied with a grounding-type plug-in cord. Bath whirlpool shall be Kohler Model K-_____ - _____ - _____.

SEAWALL

Optional Accessories

K-7166-AF	Drain	<input type="checkbox"/> CP	<input type="checkbox"/> PB	<input type="checkbox"/> Other _____
K-580	Undermount installation kit (template and installation instructions for K-872)			<input type="checkbox"/> NA
K-1179	Vinyl tiling-in bead (use when wall material contacts any top surface of bath)			<input type="checkbox"/> NA

REQUIRED ELECTRICAL SERVICE

Dedicated circuit required, protected with Class A Ground-Fault Circuit-Interrupter (GFCI):

Pump/control	120 V., 20 A, 60 Hz
--------------	---------------------

INSTALLATION NOTES

Each pump is supplied with a grounding type plug-in cord. Locate the outlet behind the whirlpool, and within 24" of the pump.

PRODUCT INFORMATION

Fixture*:	basin area	top area	weight
Bathing well	47" x 24-1/2"	65-1/4" x 35-1/4"	485 lbs.
	water depth	capacity	
To overflow	16-1/2"	110 gals.	

* Approximate measurements for comparison only.

Pump:	HP	V	Hz	A
1-speed	2	120	60	18.5

Roughing-In Notes

Deck width must be 2" min. to allow clearance for fittings. See faucet roughing-in requirements.

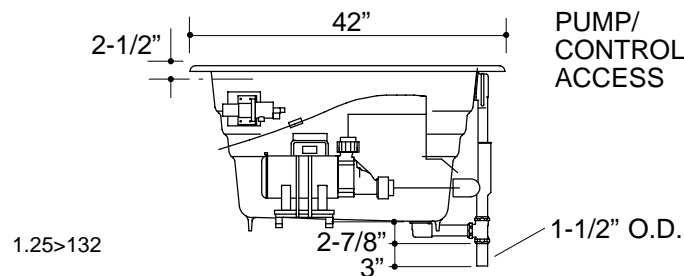
No change in measurements if connected with drain illustrated.

Cut-out for drop-in	70-1/2" x 40-1/2"
---------------------	-------------------

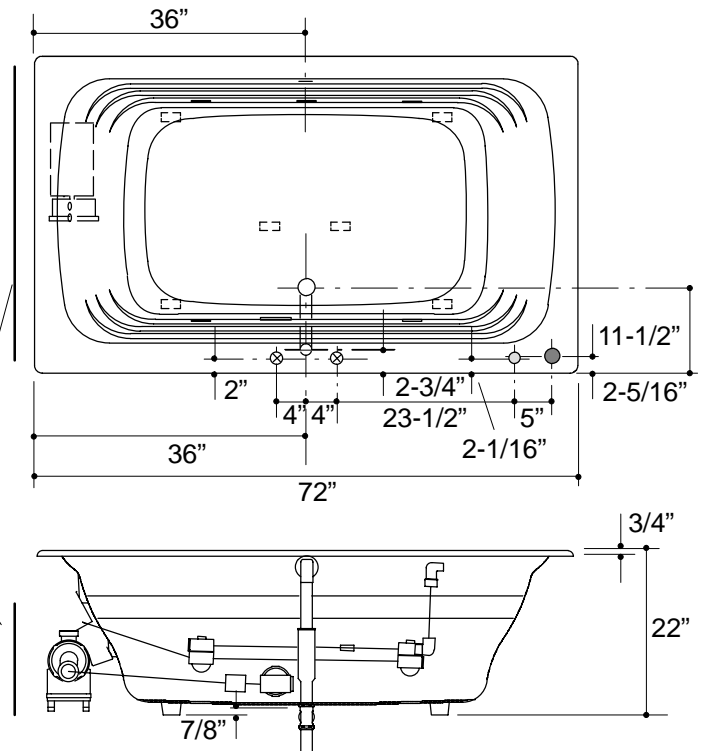
Cut-out for undermount	K-580 template required
------------------------	-------------------------

Minimum access:

Pump/control	40" W x 15" H	required
--------------	---------------	----------



1.25>132



PRODUCT DIAGRAM