

Ordering Information

Applicable product:		
With neck jets	K-1370-N	shown
Without neck jets	K-1370-H1	not shown
Accessories/hardware:		
Jet trim kit	K-9698	required
Drain	K-7167	recommended
Apron	K-1373	optional
Vinyl tiling-in bead*	K-1181	optional
*Use K-1181 vinyl bead when wall material contacts any top surface of bath.		

Required Electrical Service

Dedicated circuit required, protected with Class A Ground-Fault Circuit-Interrupter (GFCI):	
Pump/control	120 V., 20 A, 60 Hz

Product Information

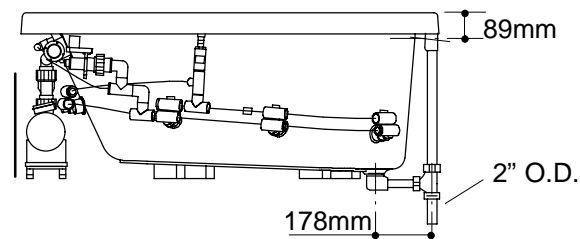
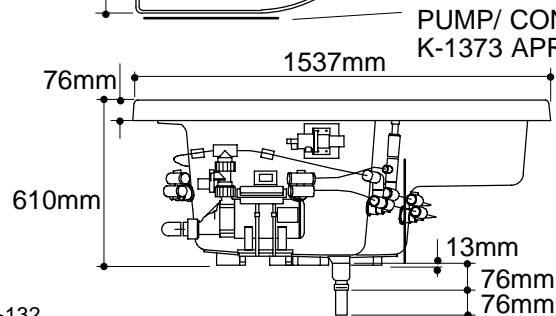
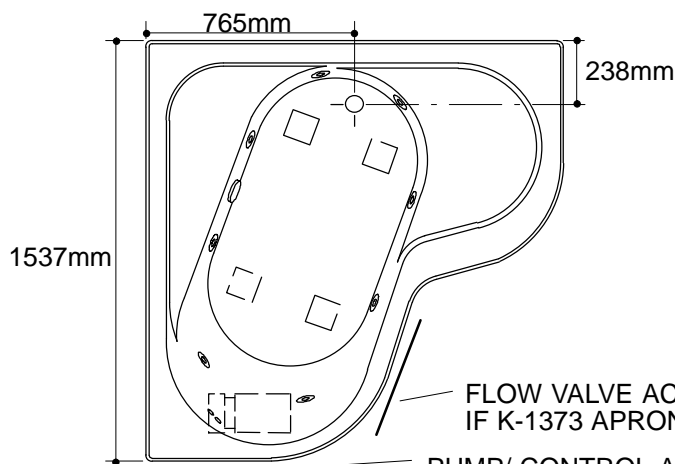
Fixture*:	basin area	top area	weight	
Bathing well	1118 x 635mm	1372 x 737mm	75 Kg.	
	water depth	capacity		
To overflow	432mm	379 litres		
* Approximate measurements for comparison only.				
Pump:	HP	V	Hz	A
1-speed	2	120	60	18.5
Included Components:				
Cutout template			106490-7	

Installation Notes

Refer to installation instructions included with fixture before beginning installation.

If installing a rim-mount faucet, make sure there is no interference with drain overflow and circulating system before drilling any holes. Consult local and national codes for minimum air gap requirements if installing a spout on the faucet deck.

Pump is supplied with a grounding type plug-in cord. Locate the outlet behind the whirlpool, and within 610mm of the pump.



Roughing-In Notes		
Fixture conforms to ANSI Standard Z124.1. All dimensions are nominal.		
No change in measurements if connected with drain illustrated.		
Minimum access panel:		
Pump/control	635mm W x 381mm H	see illustration
Flow valve	508mm W x 381mm H	see illustration

1.15>132