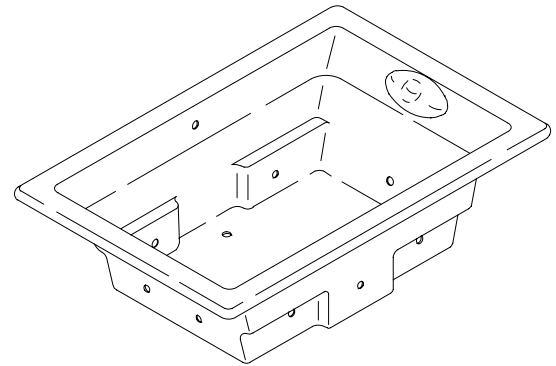


K-1384-H1, K-1384-N

FEATURES

- 72" x 48" x 23"
- Acrylic
- System III - 2 hp variable flow pump with integral heater, electronic switch, and pulsating neckjets with pillow
- 8 Flexjets
- UL Listed
- LESS ALL TRIM
- Pump is supplied with a grounding-type plug in cord



CODES/STANDARDS APPLICABLE

Specified model meets or exceeds the following:

- ANSI Z124.1
- ASME/ANSI A112.19.7M
- IAPMO/UPC
- Underwriters Laboratories (UL)
- State of Massachusetts
- City of Los Angeles, CA

COLORS/FINISHES

- 0 White
- Other Refer to Fixtures Price Book for additional colors

Accessories:

- CP Polished Chrome
- PB Polished Brass
- Other Refer to Faucets Price Book for additional finishes
- NA None Applicable

SPECIFIED MODEL:

Model	Description	Colors/Finishes	
K-1384-H1	Bath whirlpool less neckjets and pillow	<input type="checkbox"/> 0 White	<input type="checkbox"/> Other_____
K-1384-N	Bath whirlpool with neckjets and pillow	<input type="checkbox"/> 0 White	<input type="checkbox"/> Other_____

Required Accessories			
K-9698	Jet trim kit	<input type="checkbox"/> CP	<input type="checkbox"/> PB <input type="checkbox"/> Other_____
Recommended Accessories			
K-7167	Drain	<input type="checkbox"/> CP	<input type="checkbox"/> PB <input type="checkbox"/> Other_____
Optional Accessories			
K-1179	Vinyl tiling-in bead (use when wall material contacts any top surface of bath)	<input type="checkbox"/> NA	

PRODUCT SPECIFICATION:

The bath whirlpool shall be 72" in length, 48" in width, and 23" in height. Bath whirlpool shall be made of acrylic. Bath whirlpool shall have System III, with 8 Flexjets, 2 hp variable flow pump with integral heater, electronic switch, and pulsating neckjets with pillow. Bath whirlpool shall be UL listed. Bath whirlpool shall less be all trim. Bath whirlpool pump shall be supplied with a grounding-type plug-in cord. Bath whirlpool shall be Kohler Model K-1384-_____ - _____.

