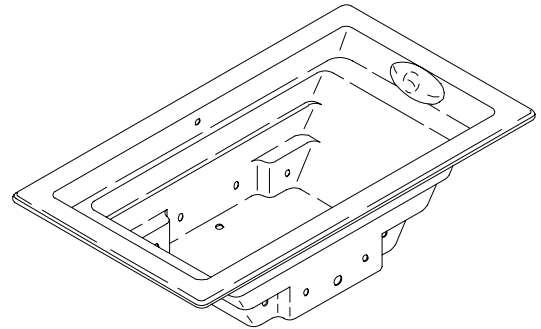


FEATURES

- 84-1/4" x 48-1/8" x 24"
- Acrylic
- System III - 2 hp variable flow pump with integral heater, electronic switch, and pulsating neckjets with pillow
- 8 Flexjets
- UL Listed
- LESS ALL TRIM
- With design terraces
- Pump is supplied with a grounding-type plug in cord

K-1398-H1, K-1398-N



CODES/STANDARDS APPLICABLE

Specified model meets or exceeds the following:

- ANSI Z124.1
- ASME/ANSI A112.19.7M
- IAPMO/UPC
- Underwriters Laboratories (UL)
- State of Massachusetts
- City of Los Angeles, CA

COLORS/FINISHES

- 0 White
- Other Refer to Fixtures Price Book for additional colors

Accessories:

- CP Polished Chrome
- PB Polished Brass
- Other Refer to Faucets Price Book for additional finishes
- NA None Applicable

SPECIFIED MODEL:

Model	Description	Colors/Finishes	
K-1398-H1	Bath whirlpool less neckjets and pillow	<input type="checkbox"/> 0 White	<input type="checkbox"/> Other_____
K-1398-N	Bath whirlpool with neckjets and pillow	<input type="checkbox"/> 0 White	<input type="checkbox"/> Other_____

Required Accessories			
K-9698	Jet trim kit	<input type="checkbox"/> CP	<input type="checkbox"/> PB <input type="checkbox"/> Other_____
Recommended Accessories			
K-7167	Drain	<input type="checkbox"/> CP	<input type="checkbox"/> PB <input type="checkbox"/> Other_____
Optional Accessories			
K-7942-2	Pillows™ Seawall bath-mount faucet OR	<input type="checkbox"/> SC	<input type="checkbox"/> PB
K-7923-8	Cirrus™ Seawall bath-mount faucet OR	<input type="checkbox"/> CP	<input type="checkbox"/> PB
K-6504-2	Alterna™ Seawall bath-mount faucet OR	<input type="checkbox"/> CP	<input type="checkbox"/> PB
K-6435-4B	Neuville™ Seawall bath-mount faucet AND	<input type="checkbox"/> CP	<input type="checkbox"/> PB
K-17212	Neuville decorative inserts (required for K-6435-4B)	<input type="checkbox"/> CP	<input type="checkbox"/> PB <input type="checkbox"/> Other_____
K-1179	Vinyl tiling-in bead (use when wall material contacts any top surface of bath)	<input type="checkbox"/> NA	

PRODUCT SPECIFICATION:

The bath whirlpool shall be 84-1/4" in length, 48-1/8" in width, and 24" in height. Bath whirlpool shall be made of acrylic. Bath whirlpool shall have System III, with 8 Flexjets, 2 hp variable flow pump with integral heater, electronic switch, and pulsating neckjets with pillow. Bath whirlpool shall be UL listed. Bath whirlpool shall be less all trim. Bath whirlpool shall have design terraces. Bath whirlpool pump shall be supplied with a grounding-type plug-in cord. Bath whirlpool shall be Kohler Model K-1398-_____ -_____.

REQUIRED ELECTRICAL SERVICE

Dedicated circuit required, protected with Class A Ground-Fault Circuit-Interrupter (GFCI):	
Pump/control	120 V., 20 A, 60 Hz

PRODUCT INFORMATION

Fixture*:	basin area	top area	weight	
Bathing well	54" x 29"	73" x 38"	155 lbs.	
	water depth	capacity		
To overflow	18-1/2"	155 gals.		
* Approximate measurements for comparison only.				
Pump:	HP	V	Hz	A
1-speed	2	120	60	18.5

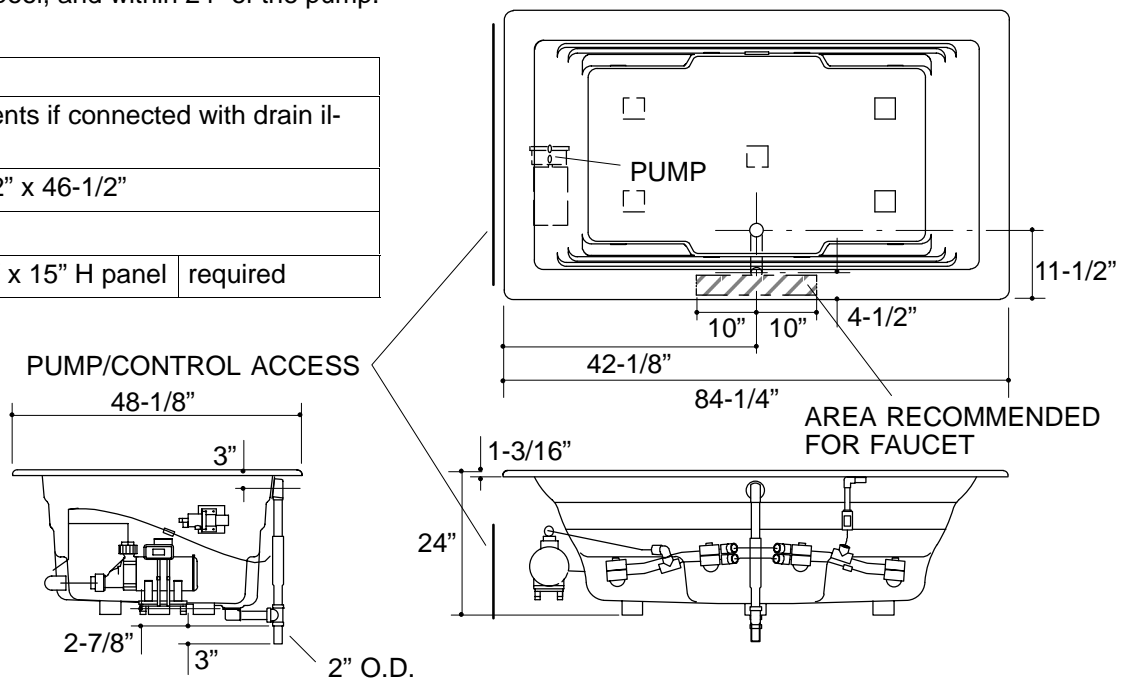
INSTALLATION NOTES

For proper drainage, whirlpool corners are 3/16" higher than the sides of the rim. This may require special consideration if wall materials contact whirlpool top surfaces.

If installing a rim-mount faucet, make sure there is no interference with drain overflow and circulating system before drilling any holes. Consult local and national codes for minimum air gap requirements if installing a spout on the faucet deck.

Pump is supplied with a grounding type plug-in cord. Locate the outlet behind the whirlpool, and within 24" of the pump.

Roughing-In Notes		
No change in measurements if connected with drain illustrated.		
Cut-out	82-1/2" x 46-1/2"	
Minimum access:		
Pump/control	46" W x 15" H panel	required



132

PRODUCT DIAGRAM