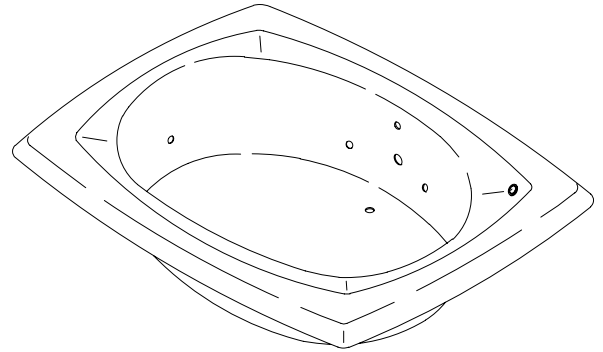


K-1422-H1

FEATURES

- 83" x 64-1/2" x 20-1/4"
- Acrylic
- System III - 2 hp variable flow pump with integral heater, and electronic switch
- 8 Flexjets
- UL Listed
- LESS ALL TRIM



CODES/STANDARDS APPLICABLE

Specified model meets or exceeds the following:

- ANSI Z124.1
- ASME/ANSI A112.19.7M
- IAPMO/UPC
- Underwriters Laboratories (UL)
- State of Massachusetts
- Dade County, Florida
- City of Los Angeles, CA

COLORS/FINISHES

- 0 White
- Other Refer to Fixtures Price Book for additional colors

Accessories:

- CP Polished Chrome
- PB Polished Brass
- Other Refer to Faucets Price Book for additional finishes

SPECIFIED MODEL:

Model	Description	Colors/Finishes		
K-1422-H1	Bath whirlpool	<input type="checkbox"/> 0 White	<input type="checkbox"/> Other_____	
Required Accessories				
K-9698	Jet trim kit	<input type="checkbox"/> CP	<input type="checkbox"/> PB	<input type="checkbox"/> Other_____
Recommended Accessories				
K-7155	Drain	<input type="checkbox"/> CP	<input type="checkbox"/> PB	<input type="checkbox"/> Other_____

PRODUCT SPECIFICATION:

The bath whirlpool shall be 83" in length, 64-1/2" in width, and 20-1/4" in height. Bath whirlpool shall be made of acrylic. Bath whirlpool shall have System III, with 8 Flexjets, 2 hp variable flow pump with integral heater, and electronic switch. Bath whirlpool shall be UL listed. Bath whirlpool shall be less all trim. Bath whirlpool shall be Kohler Model K-1422-H1-_____.

SUPER BATH™

REQUIRED ELECTRICAL SERVICE

Dedicated circuit required, protected with Class A Ground-Fault Circuit-Interrupter (GFCI):	
Pump/control	120 V., 20 A, 60 Hz

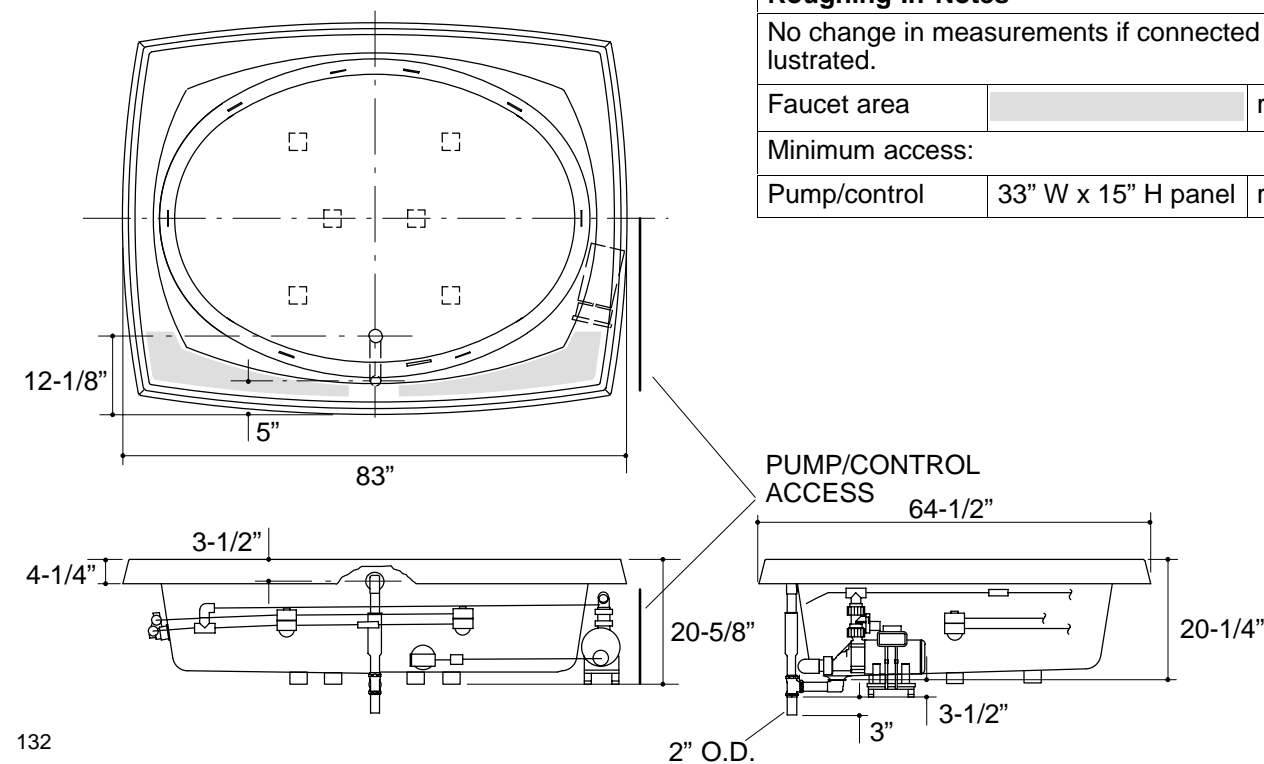
PRODUCT INFORMATION

Fixture*:	basin area	top area	weight	
Bathing well	66" x 48"	73" x 55"	260 lbs.	
	water depth	capacity		
To overflow	15-1/2"	170 gals.		
* Approximate measurements for comparison only.				
Pump:	HP	V	Hz	A
1-speed	2	120	60	18.5
Included Components:				
Cutout template	114324-7			

INSTALLATION NOTES

If installing a rim-mount faucet, make sure there is no interference with drain overflow and circulating system before drilling any holes. Consult local and national codes for minimum air gap requirements if installing a spout on the faucet deck.

Each pump is supplied with a grounding type plug-in cord. Locate the outlet behind the whirlpool, and within 24" of the pump.



Roughing-In Notes		
No change in measurements if connected with drain illustrated.		
Faucet area		recommended
Minimum access:		
Pump/control	33" W x 15" H panel	required

PRODUCT DIAGRAM