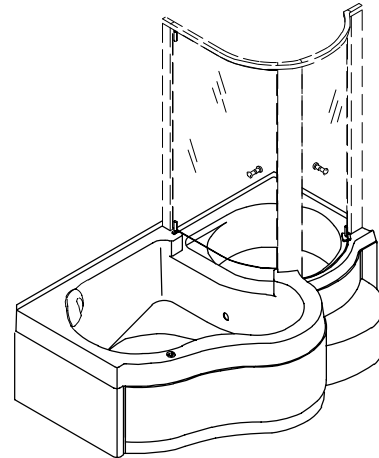


SHOWER AND SOAK™ WHIRLPOOL BATH

K-1594-H1, K-1594-N

FEATURES

- 86-1/2" x 55-1/8" x 26"
- Fiberglass (FRP)
- Right-hand shower, whirlpool
- System III - 2 hp variable flow pump with integral heater, electronic switch, and pulsating neckjets with pillow
- 5 Flexjets
- Removable apron and removable access panel
- UL Listed
- LESS ALL TRIM
- Pump is supplied with a grounding-type plug in cord
- LESS SHOWER ENCLOSURE ASSEMBLY



CODES/STANDARDS APPLICABLE

Specified model meets or exceeds the following:

- ANSI Z124.1
- ASME/ANSI A112.19.7M
- IAPMO/UPC
- Underwriters Laboratories (UL)
- State of Massachusetts

COLORS/FINISHES

- 0 White
- Other Refer to Fixtures Price Book for additional colors

Accessories:

- CP Polished Chrome
- PB Polished Brass
- 7 Black Black
- Other Refer to Faucets Price Book for additional finishes
- NA None Applicable

SPECIFIED MODEL:

Model	Description	Colors/Finishes	
		<input type="checkbox"/> 0 White	<input type="checkbox"/> Other_____
K-1594-H1	Bath whirlpool less neckjets and pillow	<input type="checkbox"/> 0 White	<input type="checkbox"/> Other_____
K-1594-N	Bath whirlpool with neckjets and pillow	<input type="checkbox"/> 0 White	<input type="checkbox"/> Other_____

Required Accessories				
K-9695	Jet trim kit	<input type="checkbox"/> CP	<input type="checkbox"/> PB	<input type="checkbox"/> Other_____
K-7166-AF	Pop-up drain	<input type="checkbox"/> CP	<input type="checkbox"/> PB	<input type="checkbox"/> Other_____
K-1595	Shower door			<input type="checkbox"/> 7 Black Black
Recommended Accessories				
K-9132	Drain	<input type="checkbox"/> CP	<input type="checkbox"/> PB	<input type="checkbox"/> Other_____
Optional Accessories				
K-9704	Autofill™ bath system			<input type="checkbox"/> NA
K-9706	Autofill™ drain	<input type="checkbox"/> CP	<input type="checkbox"/> PB	<input type="checkbox"/> Other_____

PRODUCT SPECIFICATION:

The Shower and Soak™ whirlpool bath shall be 86-1/2" in length, 55-1/8" in width, and 26" in height. Whirlpool bath shall be made of fiberglass (FRP). Whirlpool bath shall have right-hand shower. Whirlpool bath shall have System III, with 5 Flexjets, 2 hp variable flow pump with integral heater, electronic switch, and pulsating neckjets with pillow. Whirlpool bath shall have removable apron and removable access panel. Whirlpool bath shall be UL listed. Whirlpool bath shall be less all trim. Bath whirlpool pump shall be supplied with a grounding-type plug-in cord. Whirlpool bath shall be less shower enclosure assembly. Bath whirlpool shall be Kohler Model K-_____ - _____ - _____.

REQUIRED ELECTRICAL SERVICE

Dedicated circuit required, protected with Class A Ground-Fault Circuit-Interrupter: (GFCI)	
Pump/control	120 V., 20 A, 60 Hz

PRODUCT INFORMATION

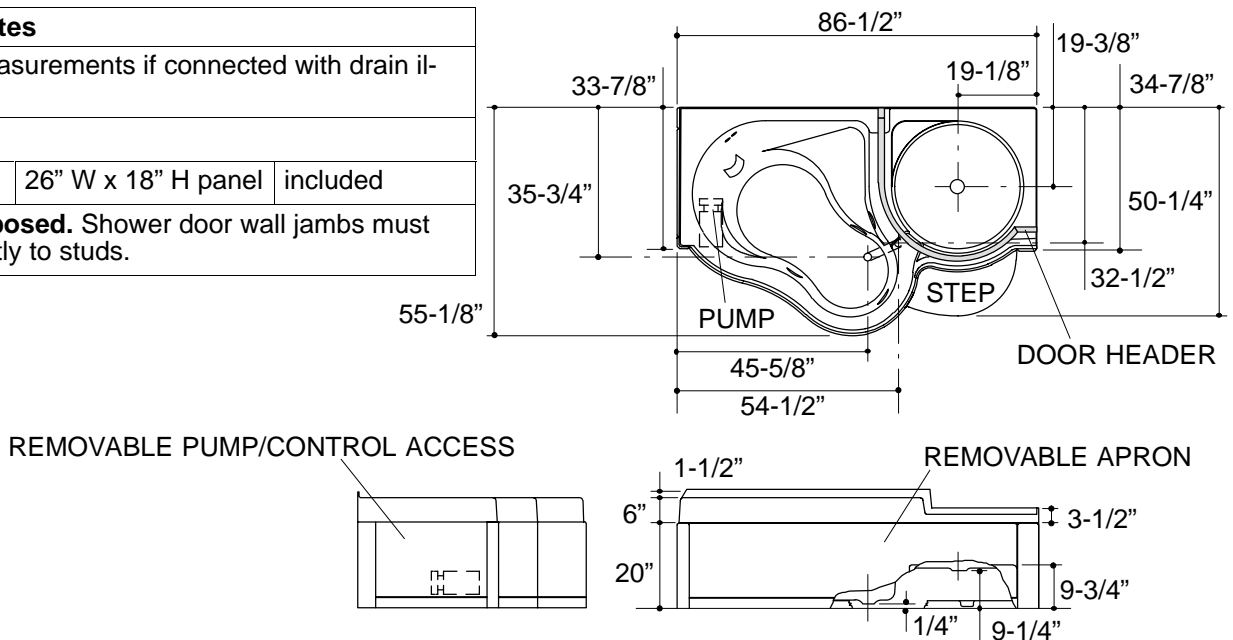
Fixture*:	basin area	top area	weight	
Bathing well	42" x 22"	56" x 35"	300 lbs.	
	water depth	capacity		
To overflow	22"	97 gals.		
* Approximate measurements for comparison only.				
Pump:	HP	V	Hz	A
1-speed	2	120	60	18.5

INSTALLATION NOTES

If installing a rim-mount faucet, make sure there is no interference with drain overflow and circulating system before drilling any holes. Consult local and national codes for minimum air gap requirements if installing a spout on the faucet deck.

Each pump is supplied with a grounding type plug-in cord. Locate the outlet behind the whirlpool, and within 24" of the pump.

Roughing-In Notes		
No change in measurements if connected with drain illustrated.		
Minimum access:		
Pump/control	26" W x 18" H panel	included
Leave studs exposed. Shower door wall jambs must be installed directly to studs.		



SEE K-1595 AVENTURA DOOR FOR ADDITIONAL DETAILS

PRODUCT DIAGRAM