

## Ordering Information

Applicable product:		
With neck jets	K-1594-N	shown
Without neck jets	K-1594-H1	not shown
Accessories/hardware:		
Pop-up drain	K-7166-AF	required
Whirlpool trim kit	K-9695	required
Shower door	K-1595	required
Drain	K-9132	recommended
Wall-mount grab bars		recommended
Autofill™ bath system	K-9704	optional
Autofill™ drain	K-9706	optional

## Required Electrical Service

Dedicated circuit required, protected with Class A Ground-Fault Circuit-Interrupter: (GFCI)	
Pump/control	120 V., 20 A, 60 Hz

## Product Information

Fixture*:	basin area	top area	weight	
Bathing well	1067 x 559mm	1422 x 889mm	136 Kg.	
	water depth	capacity		
To overflow	559mm	367 litres		
* Approximate measurements for comparison only.				
Pump:	HP	V	Hz	A
1-speed	2	120	60	18.5

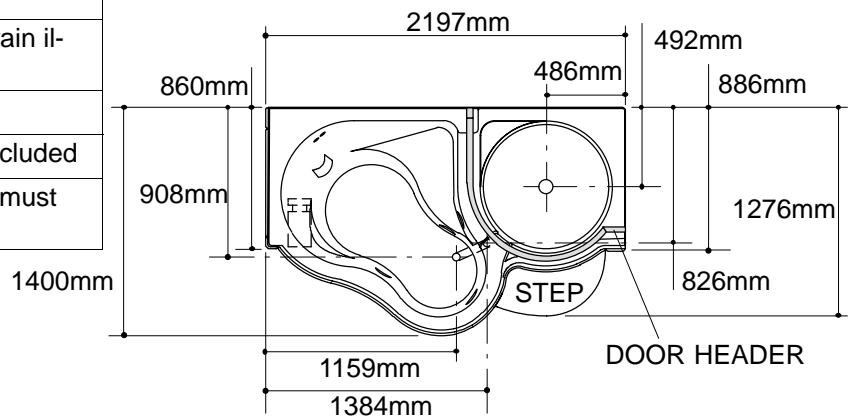
## Installation Notes

Refer to installation instructions included with fixture before beginning installation.

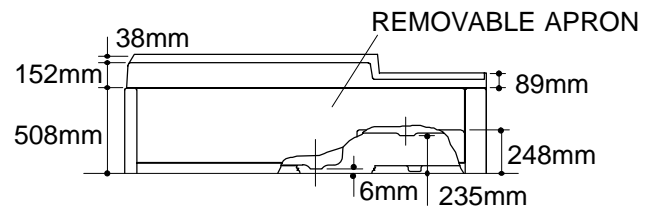
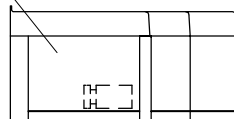
If installing a rim-mount faucet, make sure there is no interference with drain overflow and circulating system before drilling any holes. Consult local and national codes for minimum air gap requirements if installing a spout on the faucet deck.

Pump is supplied with a grounding type plug-in cord. Locate the outlet behind the whirlpool, and within 610mm of the pump.

<b>Roughing-In Notes</b>		
Fixture conforms to ANSI Standard Z124.1. All dimensions are nominal.		
No change in measurements if connected with drain illustrated.		
Minimum access panel:		
Pump/control	660mm W x 457mm H panel	included
<b>Leave studs exposed.</b> Shower door wall jambs must be installed directly to studs.		



REMOVABLE PUMP/CONTROL ACCESS



1.25>132

SEE K-1595 AVENTURA DOOR FOR ADDITIONAL DETAILS