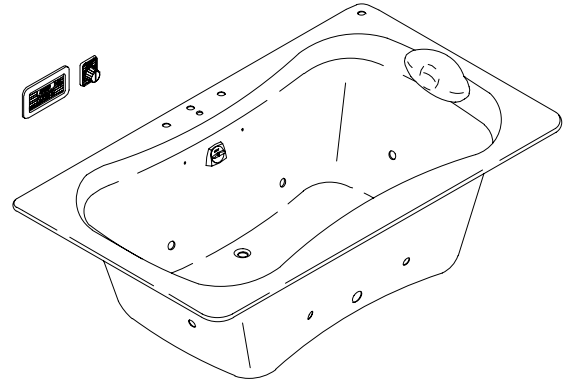


K-1466-H1, K-1466-N

FEATURES

- 72" x 42" x 24"
- Acrylic
- System III - 2 hp variable flow pump with integral heater, electronic switch, and pulsating neckjets with pillow
- 6 Flexjets
- UL Listed
- LESS ALL TRIM
- Drilled for K-9596 grip rails (required)
- Autofill bath system
- Pump is supplied with a grounding-type plug in cord



CODES/STANDARDS APPLICABLE

Specified model meets or exceeds the following:

- ANSI Z124.1
- ASME/ANSI A112.19.7M
- IAPMO/UPC
- Underwriters Laboratories (UL)
- State of Massachusetts

COLORS/FINISHES

- 0 White
- Other Refer to Fixtures Price Book for additional colors

Accessories:

- CP Polished Chrome
- PB Polished Brass
- Other Refer to Faucets Price Book for additional finishes
- NA None Applicable

SPECIFIED MODEL:

Model	Description	Colors/Finishes	
K-1466-H1	Bath whirlpool less neckjets and pillow	<input type="checkbox"/> 0 White	<input type="checkbox"/> Other_____
K-1466-N	Bath whirlpool with neckjets and pillow	<input type="checkbox"/> 0 White	<input type="checkbox"/> Other_____

Required Accessories				
K-9696	Jet trim kit	<input type="checkbox"/> CP	<input type="checkbox"/> PB	<input type="checkbox"/> Other_____
K-9589	Flair™ faucet trim kit (with drain) OR	<input type="checkbox"/> CP	<input type="checkbox"/> PB	
K-9599	Alterna™ faucet trim kit (with drain)	<input type="checkbox"/> CP	<input type="checkbox"/> PB	<input type="checkbox"/> Other_____
K-9591	Autofill Flair mixer handle OR	<input type="checkbox"/> CP	<input type="checkbox"/> PB	
K-9603	Autofill Alterna mixer handle	<input type="checkbox"/> CP	<input type="checkbox"/> PB	<input type="checkbox"/> Other_____
K-9596	Grip rails (pair)	<input type="checkbox"/> CP	<input type="checkbox"/> PB	<input type="checkbox"/> Other_____
Optional Accessories				
K-1179	Vinyl tiling-in bead (use when wall material contacts any top surface of bath)			<input type="checkbox"/> NA

PRODUCT SPECIFICATION:

The bath whirlpool shall be 72" in length, 42" in width, and 24" in height. Bath whirlpool shall be made of acrylic. Bath whirlpool shall have System III, with 6 Flexjets, 2 hp variable flow pump with integral heater, electronic switch, and pulsating neckjets with pillow. Bath whirlpool shall be UL Listed. Bath whirlpool shall be less all trim. Bath whirlpool shall be drilled for K-9596 grip rails(required). Bath whirlpool shall have Autofill™ bath system. Bath whirlpool pump shall be supplied with a grounding-type plug-in cord. Bath whirlpool shall be Kohler Model K-1466-_____-_____.

INFINITY ∞ BATH™

REQUIRED ELECTRICAL SERVICE

Circuits protected with Class A Ground-Fault Circuit-Interrupter (GFCI):	
Pump/control	120 V, 20 A, 60 Hz (dedicated)
Autofill system	120 V, 15 A, 60 Hz

PRODUCT INFORMATION

Fixture*:	basin area	top area	weight
Bathing well	48" x 29"	66" x 36"	175 lbs.
	water depth	capacity	
To overflow	18"	118 gals.	

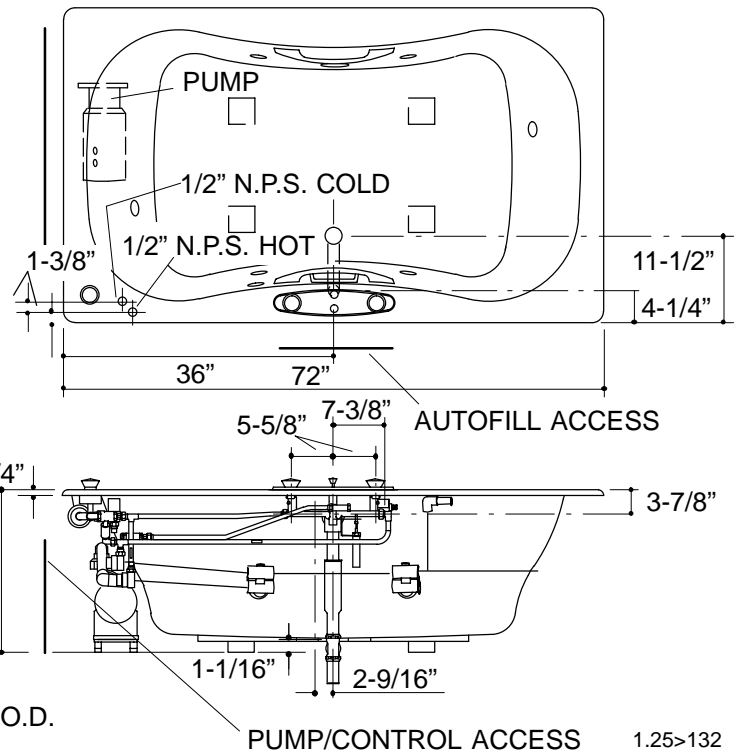
* Approximate measurements for comparison only.

Pump:	HP	V	Hz	A
1-speed	2	120	60	18.5

INSTALLATION NOTES

Pump is supplied with a grounding-type plug-in cord. Locate the outlet behind the whirlpool, and within 24" of the pump.

Roughing-In Notes		
Cut-out	70-1/2" x 40"	
No change in measurements if connected with drain illustrated.		
Minimum access:		
Pump/control	40" W x 15" H panel	required
Autofill	14-1/2" W x 12" H	required



PRODUCT DIAGRAM