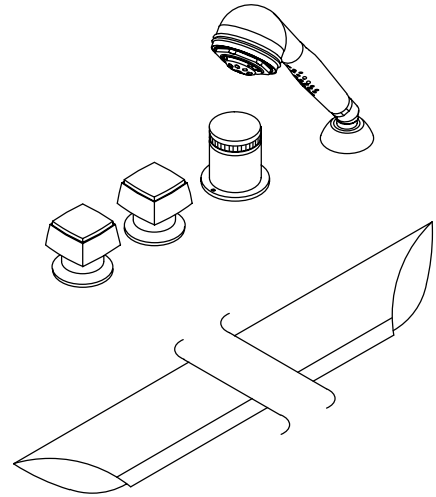


**SEAWALL BATH FAUCET
K-6504-2**

FEATURES

- Brass construction
- Deck-mount
- Brass valve bodies
- 3/4" quarter-turn washerless ceramic disc valves
- Intended for Seawall Bath/Whirlpool installations
- Below-the-rim spout
- Square handles with matching brushed metal insets
- MasterShower™ 3-way handshower
- Three-way diverter valve/vacuum breaker
- Wall-mount vacuum breaker



CODES/STANDARDS APPLICABLE

Specified model meets or exceeds the following:





- ASME/ANSI A112.18.1M
- IAPMO/UPC

COLORS/FINISHES

- CP Polished Chrome
- PB Polished Brass
- Other Refer to Faucets Price Book for additional finishes

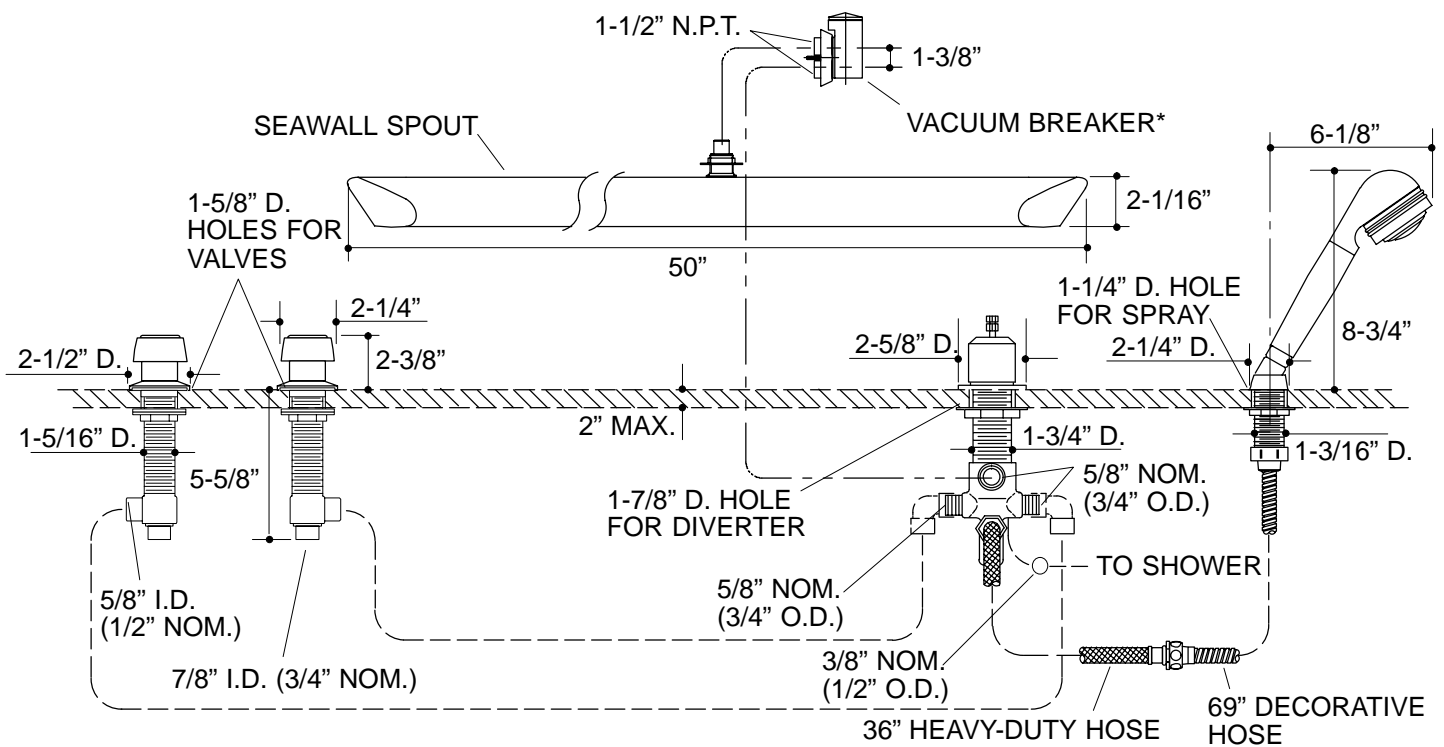
SPECIFIED MODEL:

Model	Description			
K-6504-2	Seawall Deck-Mount Bath Faucet with MasterShower Handshower	<input type="checkbox"/> CP	<input type="checkbox"/> PB	<input type="checkbox"/> Other_____

Optional Accessories				
K-9917		Large Handle Stone Inset, Single		<input type="checkbox"/> Other_____
K-9923		Large Handle Metal Inset, Single	<input type="checkbox"/> CP	<input type="checkbox"/> PB <input type="checkbox"/> Other_____
K-9926		Large Handle Ceramic Inset, Single		<input type="checkbox"/> Other_____
K-9932		Large Handle Champleve Inset, Single		<input type="checkbox"/> Other_____

PRODUCT SPECIFICATION:

Two-handle deck-mount faucet shall be of brass construction. Faucet shall feature brass valve bodies. Faucet shall feature 3/4" quarter-turn washerless ceramic disc valves, assuring positive handle stop positioning. Product is intended for Seawall bath/whirlpool installations. Product shall include below-the-rim spout, square handles with matching brushed metal insets, MasterShower handshower, three-way diverter valve/vacuum breaker, and wall-mount vacuum breaker. Faucet shall be Kohler Model K-6504-2-_____.



18 *CONSULT LOCAL PLUMBING CODES FOR VACUUM BREAKER HEIGHT

PRODUCT DIAGRAM