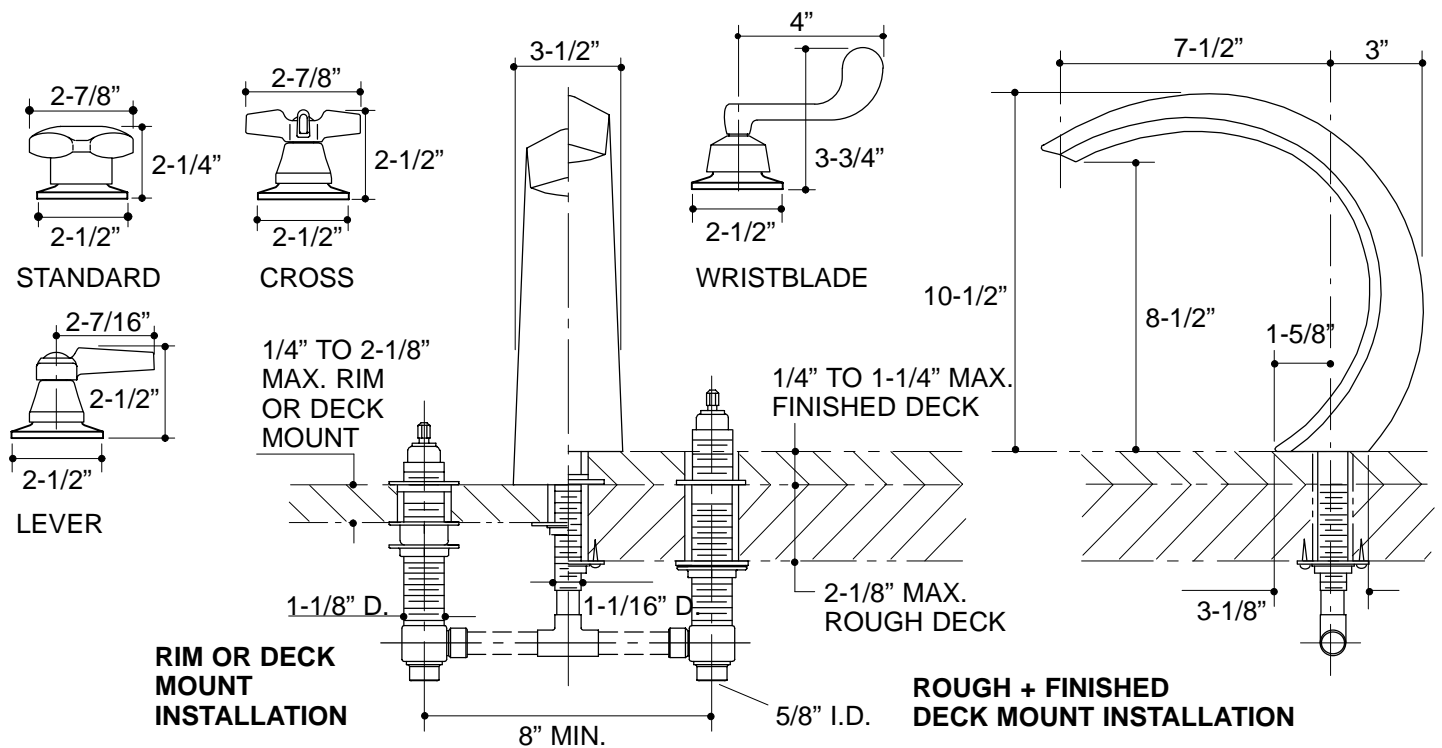


Ordering Information

Applicable faucet:	
Standard handles	K-7025-2
Cross handles	K-7025-3
Lever handles	K-7025-4
Wristblade handles	K-7025-5
ADA Lever, cross, and wristblade handles are ADA compliant	



316

K-7025 Triton™ Bath Faucet
114140-1-AA (9619)

KOHLER®

NOTES: