

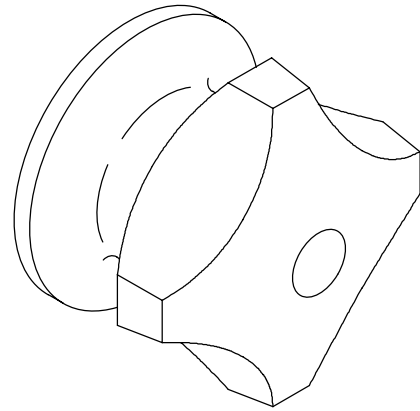
FEATURES

- *Brass construction*
- *Brass valve body*
- *Quarter-turn washerless ceramic disc valve*
- *Standard handle*

CODES/STANDARDS APPLICABLE

Specified model meets or exceeds the following:

- *ASME/ANSI A112.18.1M*
- *CSA B125*
- *IAPMO/UPC*



COLORS/FINISHES

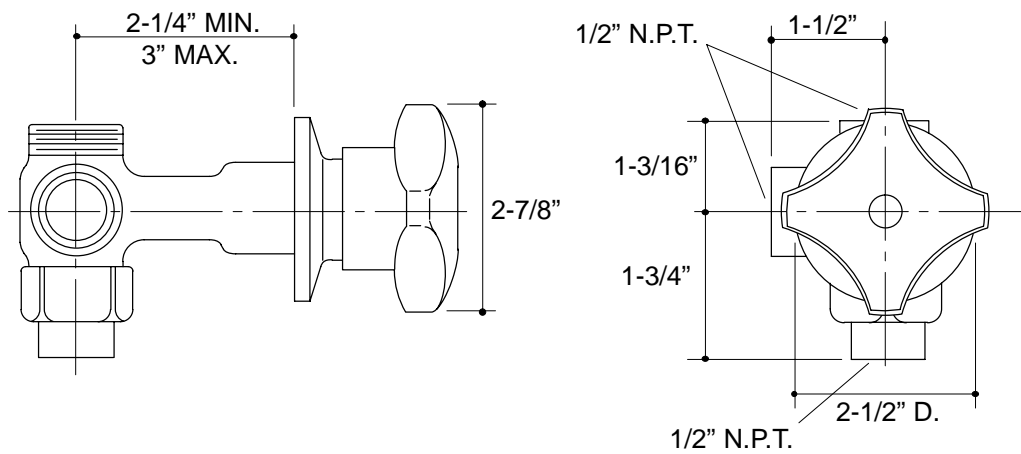
- CP Polished Chrome

SPECIFIED MODEL:

Model	Description	
K-7048-2X	Triton By-Pass Valve	<input type="checkbox"/> CP

PRODUCT SPECIFICATION:

By-pass valve shall be of brass construction. By-pass valve shall feature quarter-turn washerless ceramic disc valve with brass valve body. Product shall include a single standard handle. By-pass valve shall be Kohler Model K-7048-2X-CP.



PRODUCT DIAGRAM