

**LAVATORY BASE FAUCET
K-7313-K**

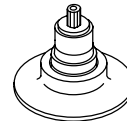
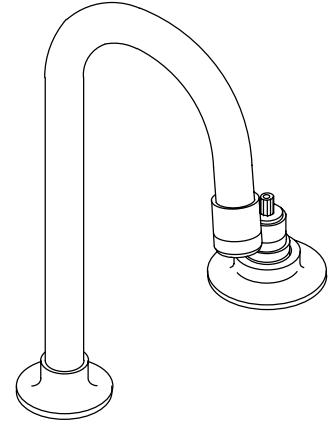
FEATURES

- Brass construction
- 12" rigid connections
- Brass valve bodies
- Quarter-turn washerless ceramic disc valves
- 5-1/4" gooseneck spout
- Available with standard or vandal-resistant Water-Guard® aerator
- 2.0 gallons per minute
- Variety of handle style options

CODES/STANDARDS APPLICABLE

Specified model meets or exceeds the following:

- ASME/ANSI A112.18.1M
- Energy Policy Act of 1992
- IAPMO/UPC
- NSF 61

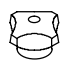

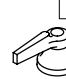




COLORS/FINISHES

- CP Polished Chrome

SPECIFIED MODEL: For complete faucet, both base faucet and handle choice must be specified.

Model	Description	
K-7313-K	With Standard Aerator	<input type="checkbox"/> CP
K-7313-KE	With Vandal-Resistant Aerator	<input type="checkbox"/> CP

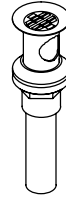
Required Accessory (Includes Two Handles)			 ADA	 ADA	 ADA	 ADA
K-16012-2	Triton Standard Handles	<input type="checkbox"/> CP				
K-16012-3	Triton Cross Handles		<input type="checkbox"/> CP			
K-16012-4	Triton Lever Handles			<input type="checkbox"/> CP		
K-16012-5	Triton Wristblade Lever Handles				<input type="checkbox"/> CP	
K-16022-5	Finesse Wrist Control Lever Handles					<input type="checkbox"/> CP

Optional Accessory on Page 2.

PRODUCT SPECIFICATION:
 Two-handle widespread lavatory base faucet shall be of brass construction. Faucet shall feature brass valve bodies. Faucet shall feature quarter-turn washerless ceramic disc valves, assuring positive handle stop positioning. Product shall be less drain and lift rod. Product shall include 12" rigid connections, and 5-1/4" gooseneck spout. Optional feature shall be standard or vandal-resistant Water-Guard aerator. Base faucet shall be Kohler Model K-7313-____-CP and handles shall be Kohler Model K-_____-____-CP.

TRITON™ /FINESSE™

Optional Accessory

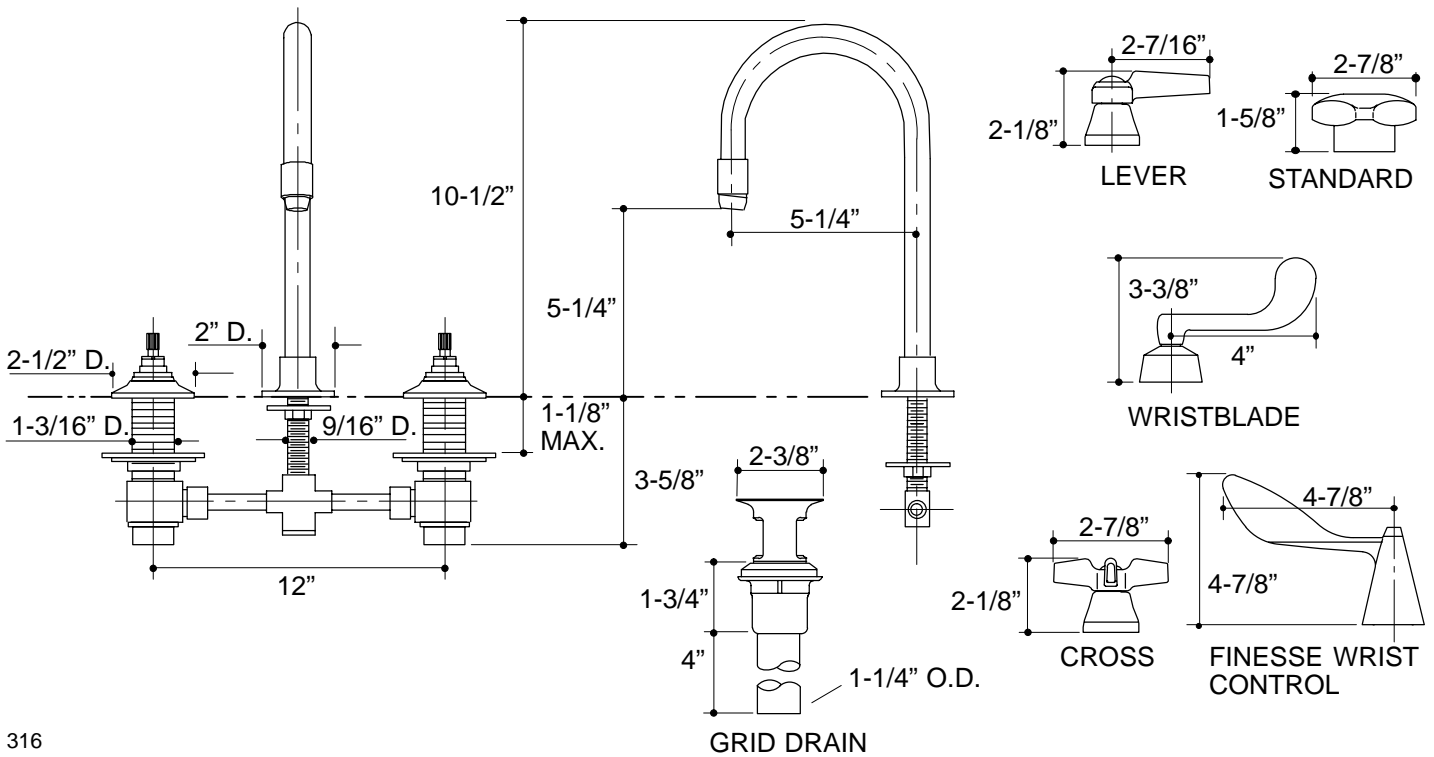


K-7715

Grid Drain

CP

PB



316

PRODUCT DIAGRAM

K-7313-K Triton/Finesse Lavatory Faucet

Page 2 of 2

114149-4-DA (-)

THE BOLD LOOK
OF **KOHLER**®