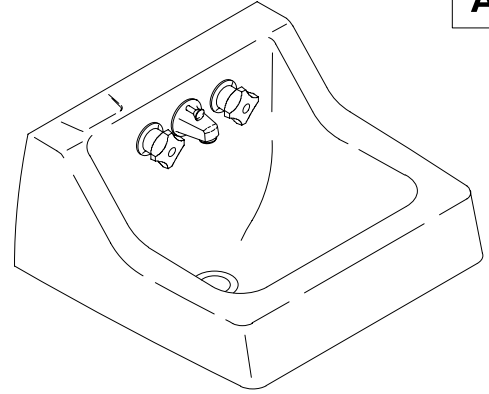


#### FEATURES

- 22" x 19"
- Cast iron
- Wall-mount
- With factory installed K-8040-2A Triton faucet
- Less K-8040-2A Triton faucet (-EH)
- With overflow
- ADA compliant when installed with lever-handle faucet (-EH)



#### CODES/STANDARDS APPLICABLE

Specified model meets or exceeds the following:

- ADA
- ASME/ANSI A112.19.1M
- CABO/ANSI A117.1
- IAPMO/UPC
- Canadian Standards Association (CSA)
- State of Massachusetts

#### COLORS/FINISHES

- 0 White

#### SPECIFIED MODEL:

Model	Description	Colors/Finishes
K-2703	Wall-mount lavatory with faucet	<input type="checkbox"/> 0 White
K-2703-EH	Wall-mount lavatory less faucet	<input type="checkbox"/> 0 White

#### PRODUCT SPECIFICATION:

The wall-mount lavatory shall be 22" in length, and 19" in width. Lavatory shall be made of cast iron. Lavatory shall be factory installed K-8040-2A Triton faucet or less faucet (-EH). Lavatory shall have overflow. Lavatory shall be ADA compliant when installed with lever-handle faucet (-EH). Lavatory shall be Kohler Model K-2703-\_\_\_\_\_-\_\_\_\_\_-\_\_\_\_\_.

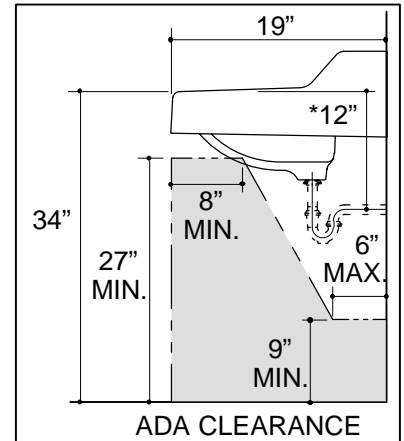
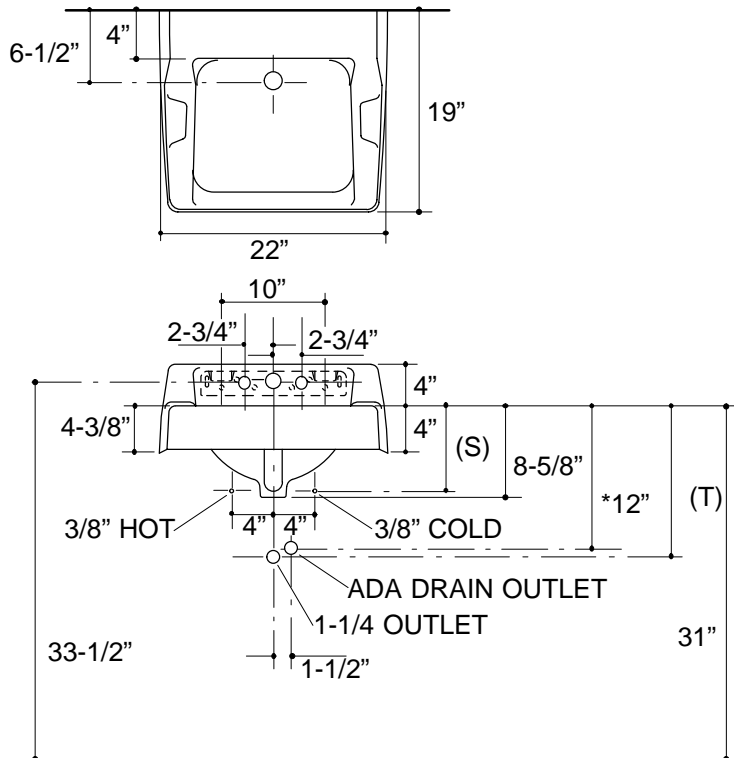
## PRODUCT INFORMATION

ADA compliant when installed with lever handle faucet.

Fixture*:		basin area	water depth
Lavatory		15" x 14"	5-1/8"
Outlet	1-11/16" D.		
Faucet holes	1-3/16" D.		
Spout hole	1-1/2" D.		

\* Approximate measurements for comparison only.

Included Components:	
Hanger (1)	64503
Overflow ferrule (1)	44071



.9<116

ROUGHING-IN NOTES
*Based on K-8998, with 1" tailpiece exposed.
(T) Pop-up drain 14-1/4", drain 13-3/8".
(S) 8" (Based on 12" riser which may require cutting).

## PRODUCT DIAGRAM