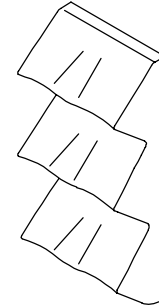


#### FEATURES

- 13-1/2" x 8-7/8" x 27-7/8"
- Vitreous china
- Polished chrome or brass trim features three pairs of BodySpa jets
- UL Listed
- Recirculating pump delivers flows up to 60 gallons per minute of powerful hydro-massage
- Order one Tower, Bath/Footbath, and Enclosure for each complete BodySpa installation



#### CODES/STANDARDS APPLICABLE

Specified model meets or exceeds the following:

- ASME/ANSI A112.19.2M
- IAPMO/UPC
- Underwriters Laboratories (UL)

#### COLORS/FINISHES

- 0 White
- Other Refer to Fixtures Price Book for additional colors

#### Accessories:

- CP Polished Chrome
- PB Polished Brass
- SH Bright Silver
- BH Bright Brass
- SS Satin Silver
- SB Satin Brass
- Other Refer to Faucets Price Book for additional finishes

#### SPECIFIED MODEL:

Model	Description	Colors/Finishes	
K-1040-CP	6-Jet Tower with Polished Chrome trim	<input type="checkbox"/> 0 White	<input type="checkbox"/> Other_____
K-1040-PB	6-Jet Tower with Polished Brass trim	<input type="checkbox"/> 0 White	<input type="checkbox"/> Other_____

#### Required Accessories

K-507	BodySpa Mendota bath, LH <b>OR</b>	<input type="checkbox"/> 0 White	<input type="checkbox"/> Other_____
K-508	BodySpa Mendota bath, LH <b>OR</b>	<input type="checkbox"/> 0 White	<input type="checkbox"/> Other_____
K-799	BodySpa Steeping bath <b>OR</b>	<input type="checkbox"/> 0 White	<input type="checkbox"/> Other_____
K-854	BodySpa Tea-For-Two bath, 5' <b>OR</b>	<input type="checkbox"/> 0 White	<input type="checkbox"/> Other_____
K-861	BodySpa Tea-For-Two bath, 6' <b>OR</b>	<input type="checkbox"/> 0 White	<input type="checkbox"/> Other_____
K-1045	Alcove footbath, LH <b>OR</b>	<input type="checkbox"/> 0 White	<input type="checkbox"/> Other_____
K-1046	Alcove footbath, RH <b>OR</b>	<input type="checkbox"/> 0 White	<input type="checkbox"/> Other_____
K-1479	BodySpa Infinity Bath, LH <b>OR</b>	<input type="checkbox"/> 0 White	<input type="checkbox"/> Other_____
K-1481	BodySpa Infinity Bath, RH	<input type="checkbox"/> 0 White	<input type="checkbox"/> Other_____

More required accessories on Page 2

#### PRODUCT SPECIFICATION:

The 6-Jet tower shall be 13-1/2" in length, 8-7/8" in width, and 27-7/8" in height. Tower shall be made of vitreous china. Tower shall have polished chrome or brass trim which features three pairs of BodySpa jets. Tower shall be UL listed. Bath recirculating pump shall deliver flows up to 60 gallons per minute of powerful hydro-massage. Tower shall be configured with BodySpa Bath/Footbath, and BodySpa Bypass Door. Tower shall be Kohler Model K-1040-\_\_\_\_\_ - \_\_\_\_\_.

# BODYSPA

## Required Accessories

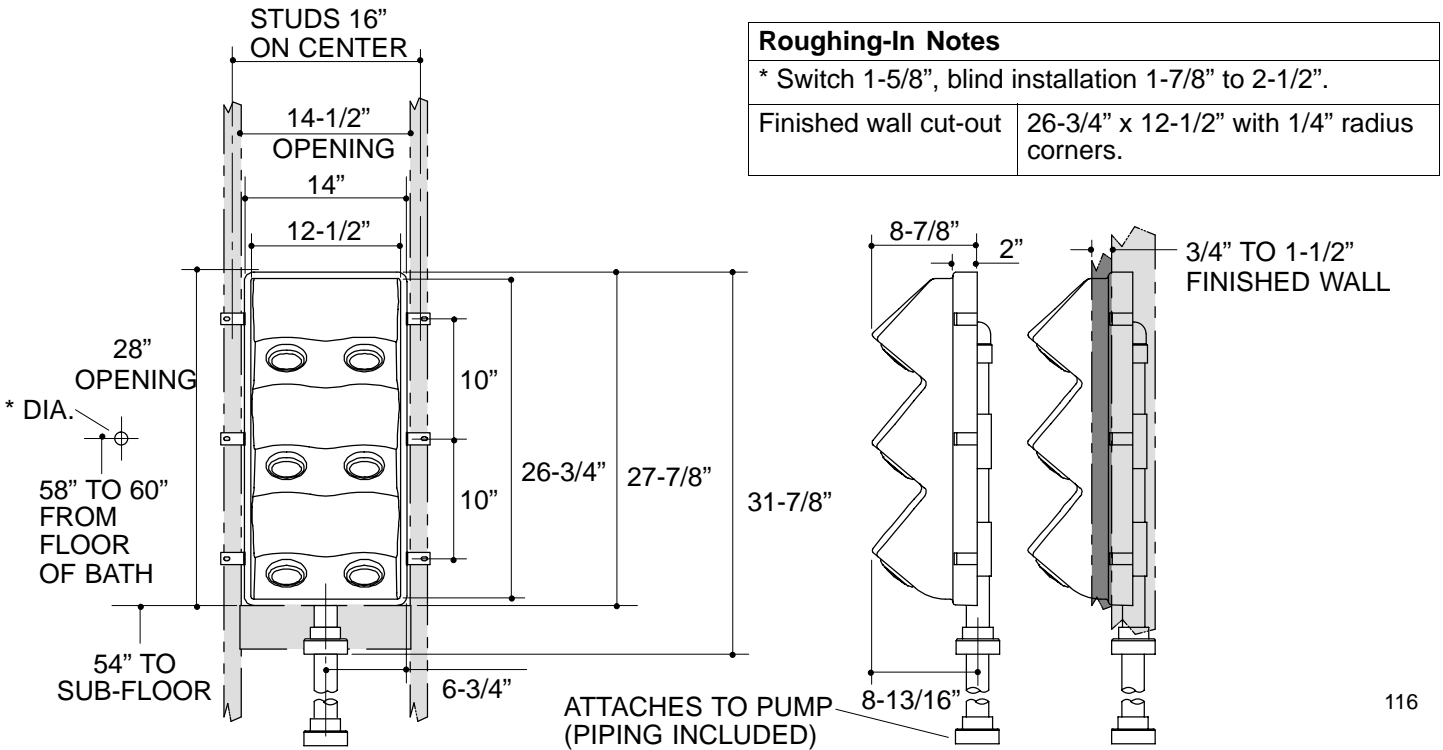
K-9759-L	5' BodySpa Bypass door <b>OR</b>	<input type="checkbox"/> SH	<input type="checkbox"/> BH
K-9735-L	6' BodySpa Bypass door <b>OR</b>	<input type="checkbox"/> SH	<input type="checkbox"/> BH
K-5161-L	BodySpa Alcove enclosure	<input type="checkbox"/> SS	<input type="checkbox"/> SB <input type="checkbox"/> O White

## PRODUCT INFORMATION

Fixture:	
Weight	45 lbs.

## INSTALLATION NOTES

Locate control switch within the boundaries of the enclosure.  
6' cable is included.



## PRODUCT DIAGRAM