

Ordering Information

Accessories/hardware:		
Alcove footbath, LH	K-1035	required
Alcove footbath, RH	K-1036	
Corner footbath	K-1025	
Alcove enclosure	K-5161	required
Corner enclosure	K-5162	

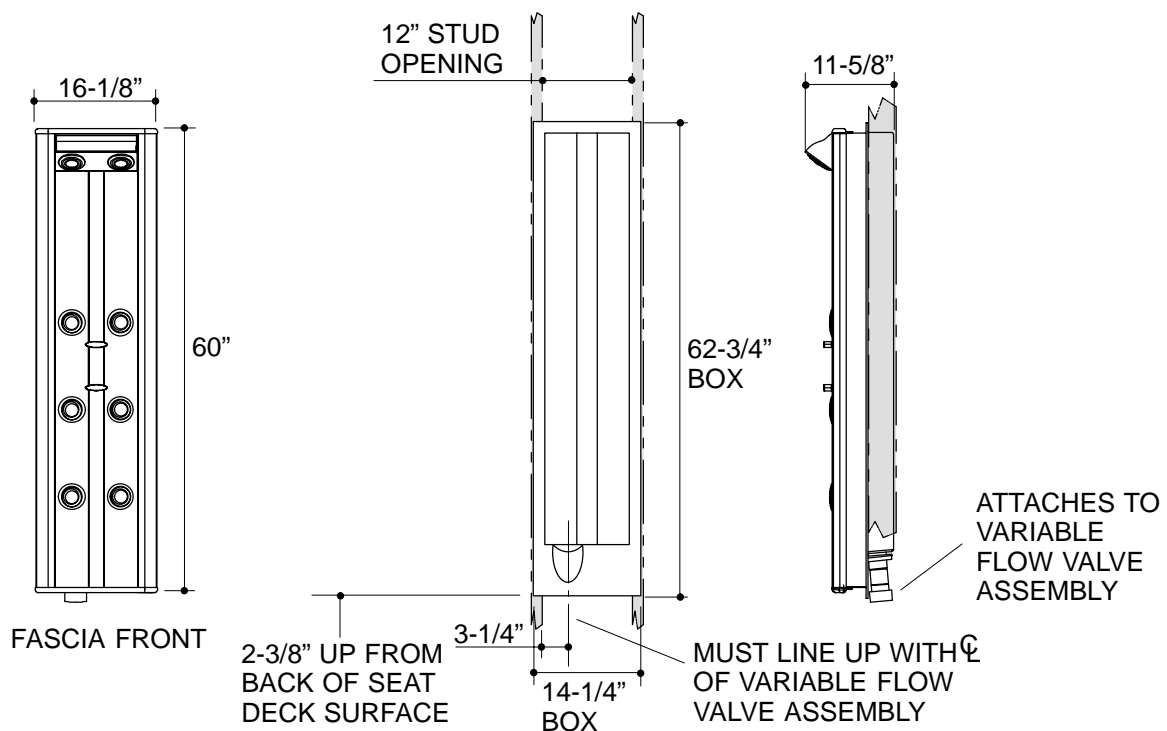
Product Information

Fixture:	
Weight	38 lbs.

Installation Notes

Refer to installation instructions included with fixture before beginning installation.

The BodySpa is not designed for steam applications, and may not perform satisfactorily as a steam unit.



1.25>132

K-1030 BodySpa 8-Jet Tower
114175-1-CA (-)

KOHLER®